



Repair Part Sheet

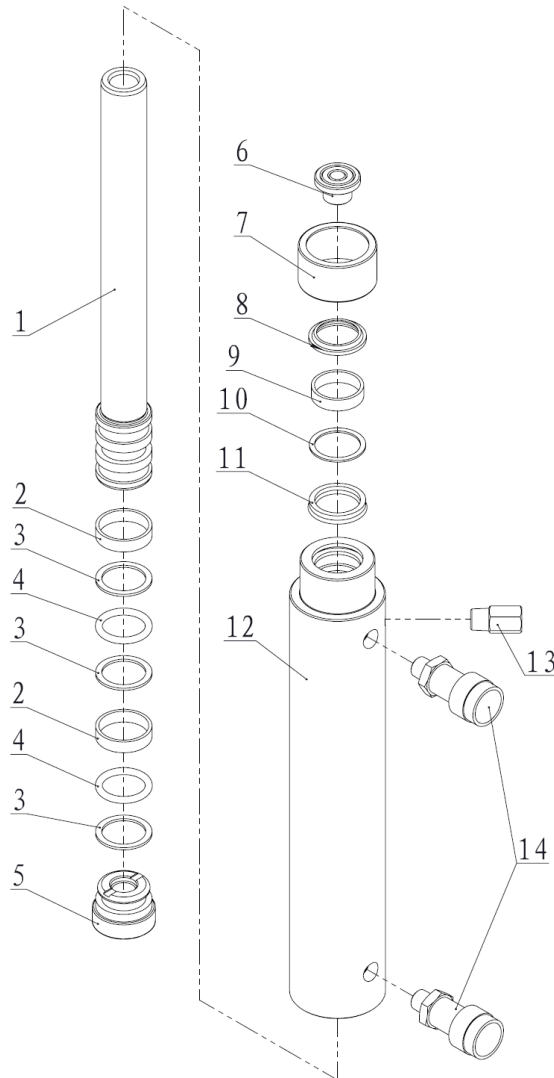
BMD-1010, BMD-1012 Cylinder

Form No. BMD1010RP Rev. A Date: 20.05.2015



BELIUM Cylinders should be repaired only by a qualified operator or Authorized BELIUM Service Centers. Use Only BELIUM or other approved hydraulic oil. Release pressure in hydraulic system and disconnect hose(s) before making repair.

Parts List



Item No.	Part Number	Description	Qty.	Item No.	Part Number	Description	Qty.
1	BMD1010-02	Piston BMD-1010 Only	1	8★	JB-d35	Wiper -ring	1
	BMD1012-02	Piston BMD-1012 Only	1	9	21524	Anti-wear Ring	1
2	21616	Anti-wear Ring	2	10★	21267	Gasket	1
3★	21266	Gasket	3	11★	24351	Y-ring	1
4★	24180	O-ring	2	12	BMD1010-01	Cylinder BMD-1010 Only	1
5	BMD10-02	Cylinder Base	1		BMD1012-01	Cylinder BMD-1012 Only	1
6	SG102	Saddle	1	13	BF3.1	Safety Valve	1
7	BMD10-1	Thread Cover	1	14	BAC201A	Coupler	2

★ Items included in Repair Kit, Repair Kit order number: **BMD1010-RP-A**