



Repair Part Sheet

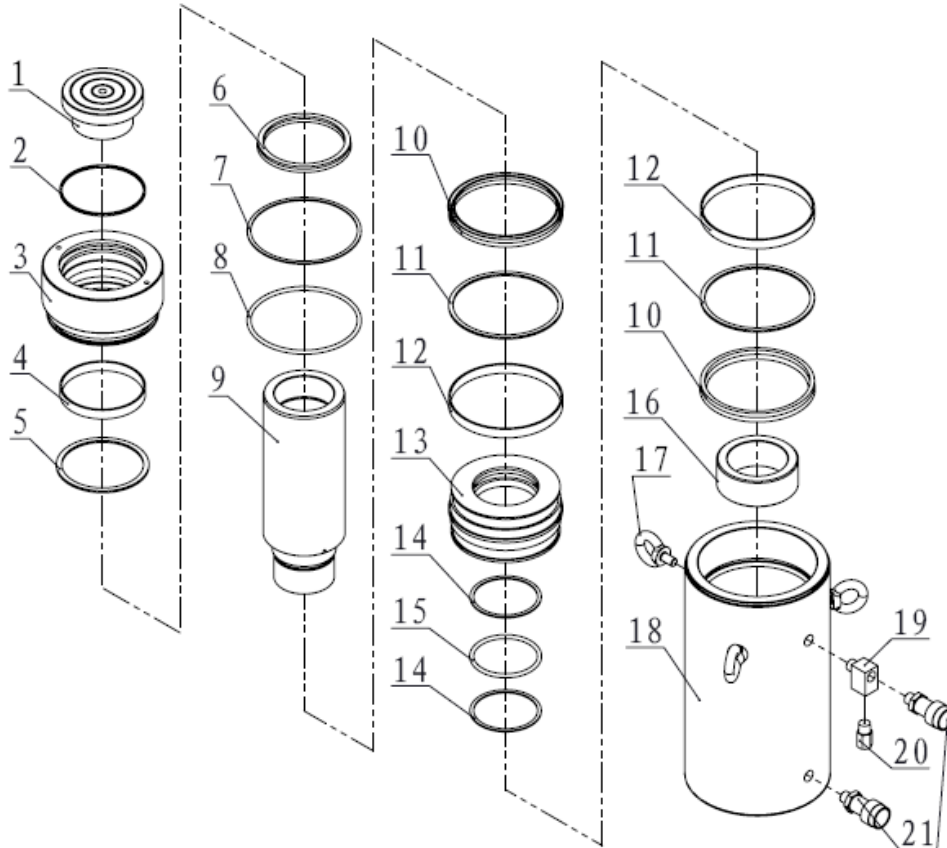
BMD-1502 Cylinder

Form No. BMD1502RP Rev. A Date: 20.05.2015



BELIUM Cylinders should be repaired only by a qualified operator or Authorized BELIUM Service Centers. Use Only BELIUM or other approved hydraulic oil. Release pressure in hydraulic system and disconnect hose(s) before making repair.

Parts List



Item No.	Part Number	Description	Quantity	Item No.	Part Number	Description	Quantity
1	BMD150-02	Saddle	1	11	21510	Anti-wear Ring	2
2★	21710	Wiper Ring	1	12	BMD150-03	Piston Base	1
3	BMD150-01A	Guide Ring	1	13★	21024	Gasket	2
4	21496	Anti-wear Ring	1	14★	24093	O-ring	1
5★	21098	Gasket	1	15★	BMD150-04	Lock Nut	1
6★	24309	Y-ring	1	16★	11018	Eye Ring	1
7★	21143	Gasket	1	17	BMD1502-01	Cylinder	1
8★	24127	O-ring	1	18	BJF015	Fitting	1
9	BMD1502-02	Piston	1	19	BF3.1	Safety Valve	1
10★	24296	Y-ring	2	20	BAC201A	Coupler	2
11★	21139	Gasket	2				

★ Items included in Repair Kit, Repair Kit order number: **BMD1502-RP-A**