



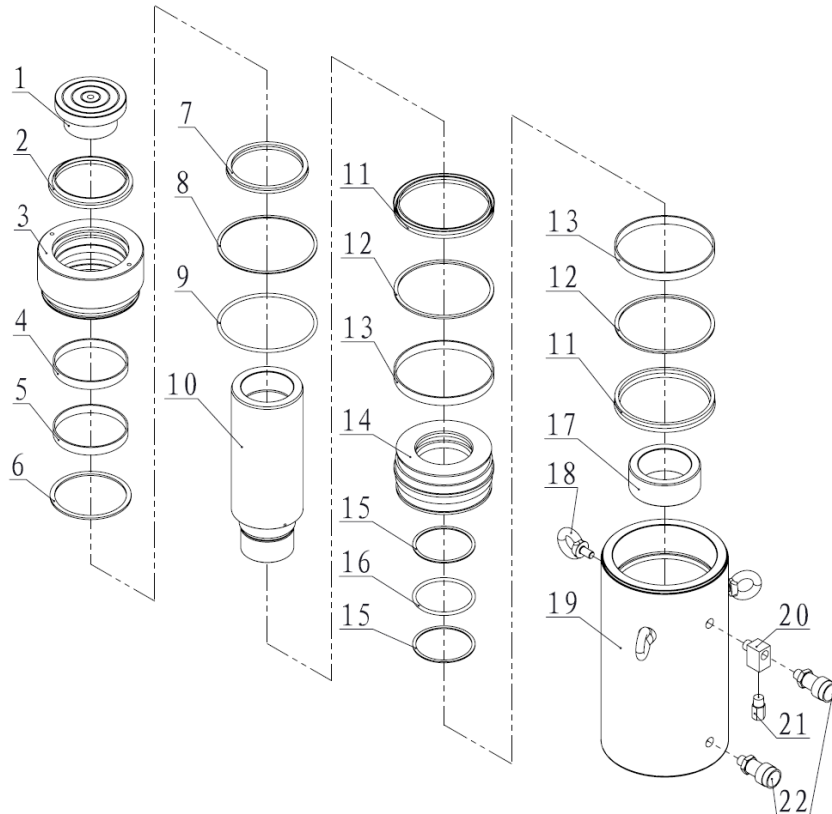
Repair Part Sheet

BMD-1506, BMD-15013 Cylinder
 Form No. BMD1506RP Rev. A Date: 20.05.2015



BELIUM Cylinders should be repaired only by a qualified operator or Authorized BELIUM Service Centers. Use Only BELIUM or other approved hydraulic oil. Release pressure in hydraulic system and disconnect hose(s) before making repair.

Parts List



Item No.	Part Number	Description	Qty.	Item No.	Part Number	Description	Qty.
1	BMD105-02	Saddle	1	12★	21139	Gasket	2
2★	JB-D115	Wiper Ring	1	13	21510	Anti-wear Ring	2
3	BMD150-01	Guide Ring	1	14	BMD150-03	Piston Base	1
4	21562	Anti-wear Ring	1	15★	21024	Gasket	2
5	21496	Anti-wear Ring	1	16★	24093	O-ring	1
6★	21098	Gasket Ring	1	17	BMD150T-04	Lock Nut	1
7★	24309	Y-ring	1	18	11018	Eye Ring	1
8★	21143	Gasket	1	19	BMD1506-01	Cylinder BMD-1506 Only	1
9★	24127	O-ring	1		BMD15013-01	Cylinder BMD-15013 Only	1
10	BMD1506-02	Piston BMD-1506 Only	1	20	BJF015	Fitting	1
	BMD15013-02	Piston BMD-15013 Only	1	21	BF3.1	Safety Valve	1
11★	24296	Y-ring	2	22	BAC201A	Coupler	2

★ Items included in Repair Kit, Repair Kit order number: **BMD1506-RP-A**