



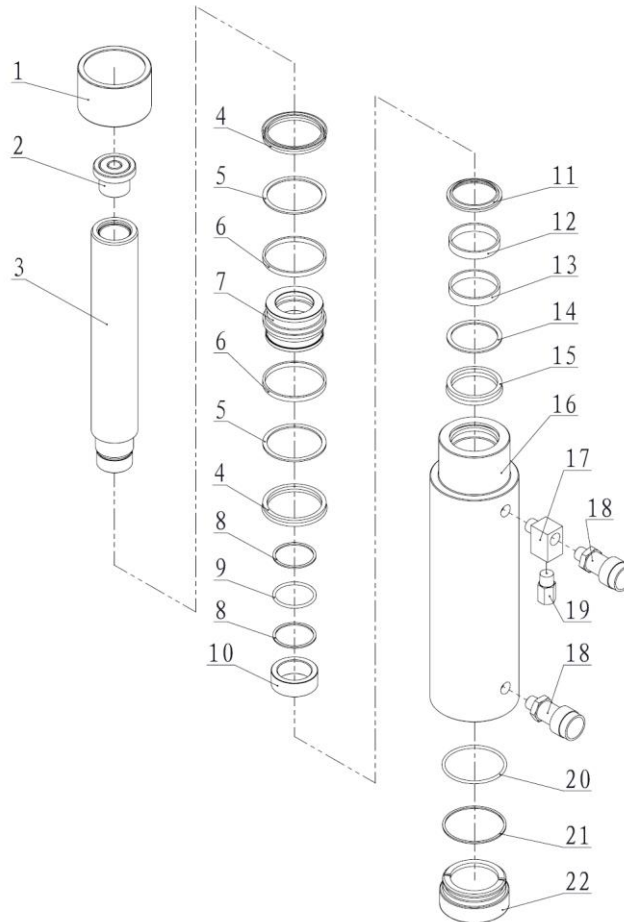
Repair Part Sheet

BMD- 308, BMD-3014 Cylinder
 Form No. BMD308RP Rev. A Date: 20.05.2015



BELIUM Cylinders should be repaired only by a qualified operator or Authorized BELIUM Service Centers. Use Only BELIUM or other approved hydraulic oil. Release pressure in hydraulic system and disconnect hose(s) before making repair.

Parts List



Item No.	Part Number	Description	Qty.	Item No.	Part Number	Description	Qty.
1	ES251-4	Thread Cover	1	12	21456	Anti-wear Ring	1
2	SG252G	Saddle	1	13	21535	Anti-wear Ring	1
3	BMD308-02	Piston BMD-308 Only	1	14★	21325	Gasket	1
	BMD3014-02	Piston BMD-3014 Only	1	15★	24327	Y-ring	1
4★	24304	U-cup Ring	2	16	BMD308-01	Cylinder BMD-308 Only	1
5★	21327	Gasket	2		BMD3014-01	Cylinder BMD-3014 Only	
6	21543	Anti-wear Ring	2	17	BJF015	Fitting	1
7	BMD30-01	Piston	1	18	BAC-201A	Coupler	2
8★	21287	Gasket	2	19	BF3.1	Safety Valve	1
9★	24044	O-ring	1	20★	21353	Gasket	1
10	BMD30-02	Nut	1	21★	24196	O-ring	1
11★	JB-d55	Wiper Ring	1	22	BMD30T-03	Cylinder Base	1

★ Items included in Repair Kit, Repair Kit order number: **BMD308-RP-A**