



Repair Part Sheet

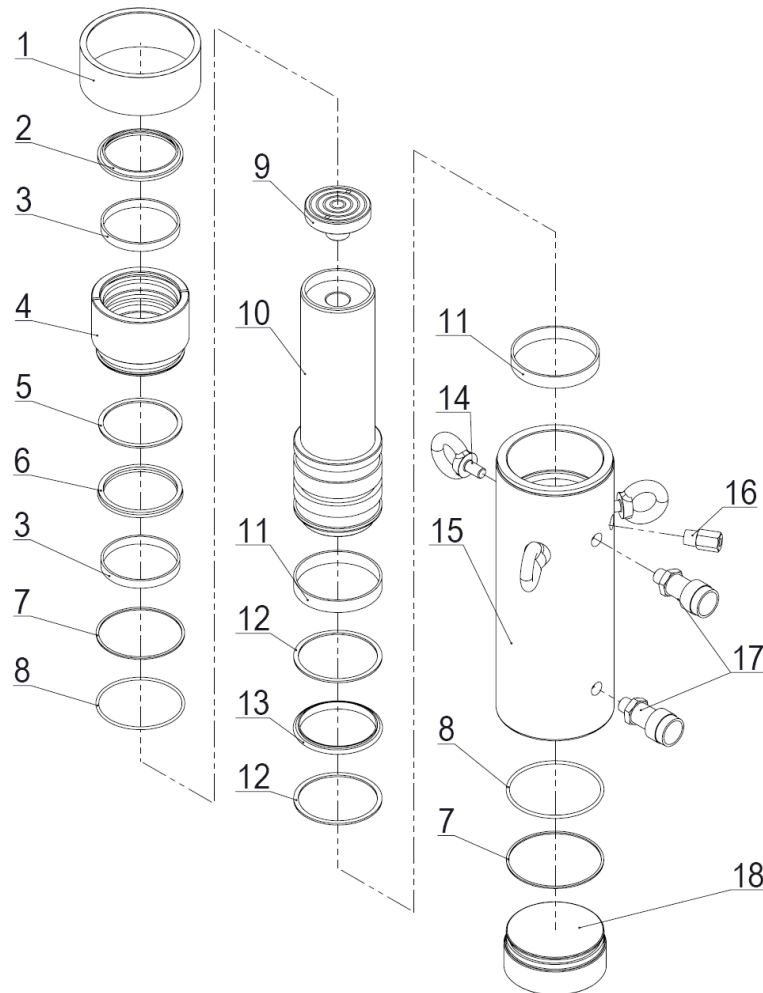
BMD- 5020 Cylinder

Form No. BMD5020RP Rev. A Date: 20.05.2015



BELIUM Cylinders should be repaired only by a qualified operator or Authorized BELIUM Service Centers. Use Only BELIUM or other approved hydraulic oil. Release pressure in hydraulic system and disconnect hose(s) before making repair.

Parts List



Item No.	Part Number	Description	Quantity	Item No.	Part Number	Description	Quantity
1	BMD50-03	Thread Cover	1	10	BMD5020-02	Piston Rod	1
2★	JB-d80	Wiper Ring	1	11	21479	Anti-wear Ring	2
3	21546	Anti-wear Ring	2	12★	21401	Gasket	2
4	BMD5020-2	Stop Ring	1	13★	21008	T-ring	1
5★	21383	Gasket	1	14	11018	Eye Ring	3
6★	24313	Y-ring	1	15	BMD5020-1	Cylinder	1
7★	21030	Gasket	1	16	BF3.1	Safety Valve	1
8★	24270	O-ring	1	17	BAC201A	Female Coupler	2
9	BMD5020-5	Saddle	1	18	BMD5020-4	Cylinder Base	1

★ Items included in Repair Kit, Repair Kit order number: **BMD5020-RP-A**