



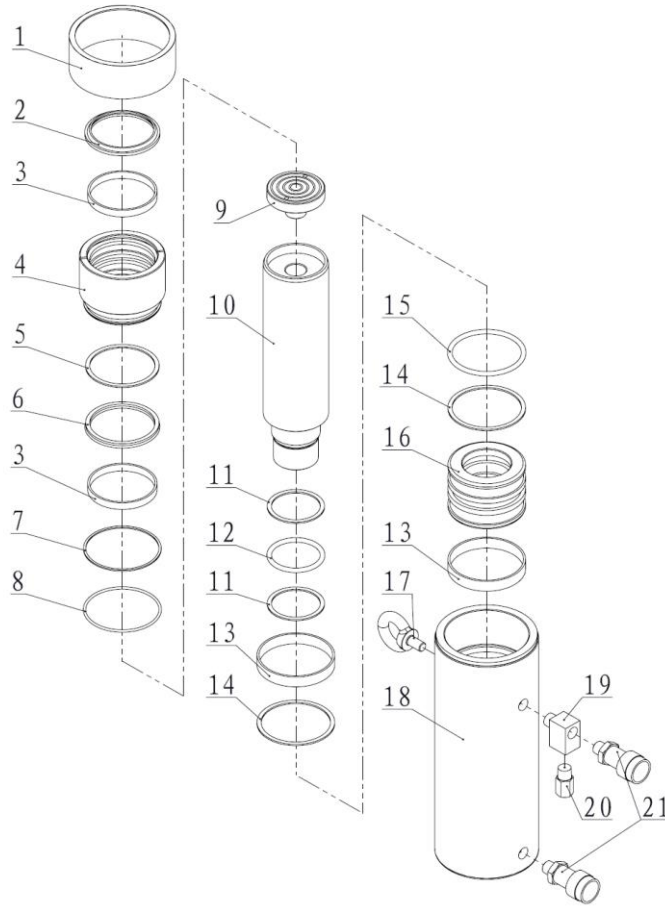
## Repair Part Sheet

**BMD- 506, BMD-5013Cylinder**  
 Form No. BMD506RP Rev. A Date: 20.05.2015



BELIUM Cylinders should be repaired only by a qualified operator or Authorized BELIUM Service Centers. Use Only BELIUM or other approved hydraulic oil. Release pressure in hydraulic system and disconnect hose(s) before making repair.

### Parts List



Item No.	Part Number	Description	Qty.	Item No.	Part Number	Description	Qty.
1	BMD50-03	Thread Cover	1	12★	24060	O-ring	1
2★	JB-d80	Wiper Ring	1	13	21479	Anti-wear Ring	2
3	21546	Anti-wear ring	2	14★	21399	Gasket	2
4	BMD50-01	Guide Ring	1	15★	24089	O-ring	1
5★	21383	Gasket	1	16	BMD50-04	Piston Base	1
6★	24313	Y-ring	1	17	11018	Eye Ring	1
7★	21402	Gasket	1	18	BMD506-01	Cylinder BMD-506 Only	1
8★	24256	O-ring	1		BMD5013-01	Cylinder BMD-5013 Only	1
9	BMD50-02	Saddle	1	19	BJF015	Fitting	1
10	BMD506-02	Piston BMD-506 Only	1	20	BF3.1	Safety Valve	1
	BMD5013-02	Piston BMD-5013 Only	1	21	BAC-201A	Coupler	2
11★	21330	Gasket	2				

★ Items included in Repair Kit, Repair Kit order number: **BMD506-RP-A**