



## Repair Part Sheet

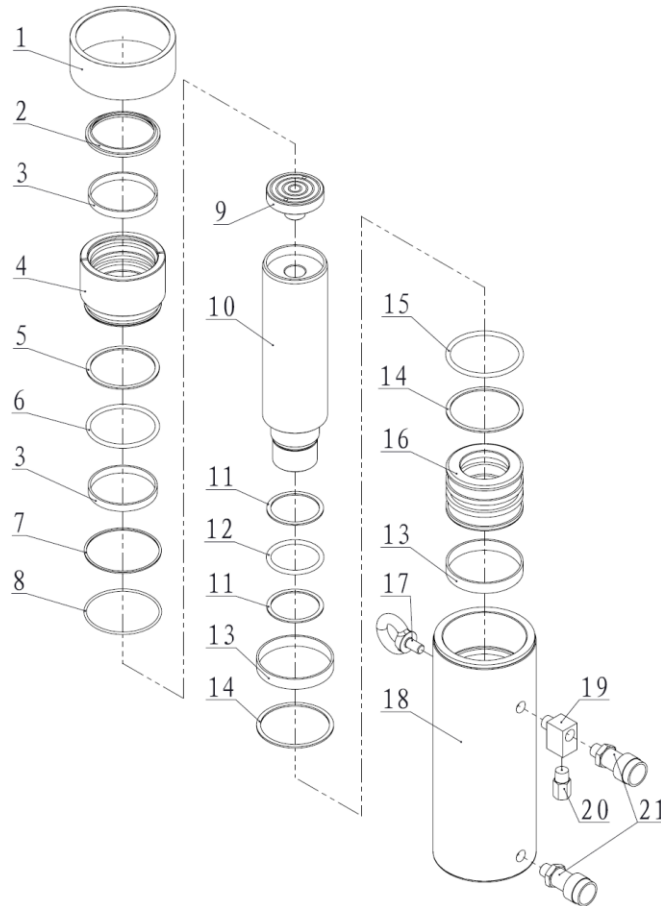
**BMD-756, BMD-7513 Cylinder**

Form No. BMD756RP Rev. A Date: 20.05.2015



BELIUM Cylinders should be repaired only by a qualified operator or Authorized BELIUM Service Centers. Use Only BELIUM or other approved hydraulic oil. Release pressure in hydraulic system and disconnect hose(s) before making repair.

### Parts List



Item No.	Part Number	Description	Qty.	Item No.	Part Number	Description	Qty.
1	BMD75-02	Thread Cover	1	12★	24073	O-ring	1
2★	JB-d95	Wiper Ring	1	13	21600	Anti-wear Ring	2
3	21483	Anti-wear Ring	2	14★	21055	Gasket	2
4	BMD75-01	Guide Ring	1	15★	24105	O-ring	1
5★	21033	Gasket	1	16	BMD75-03	Piston Base	1
6★	24098	O-ring	1	17	11018	Eye Ring	1
7★	21059	Gasket	1	18	BMD756-01	Cylinder BMD-756 Only	1
8★	24108	O-ring	1		BMD7513-01	Cylinder BMD-7513 Only	1
9	BMD50-02	Saddle	1	19	BJF015	Fitting	1
10	BMD756-02	Piston BMD-756 Only	1	20	BF3.1	Safety Valve	1
	BMD7513-02	Piston BMD-7513 Only	1	21	BAC201A	Coupler	2
11★	21367	Gasket	2				

★ Items included in Repair Kit, Repair Kit order number: **BMD756-RP-A**