



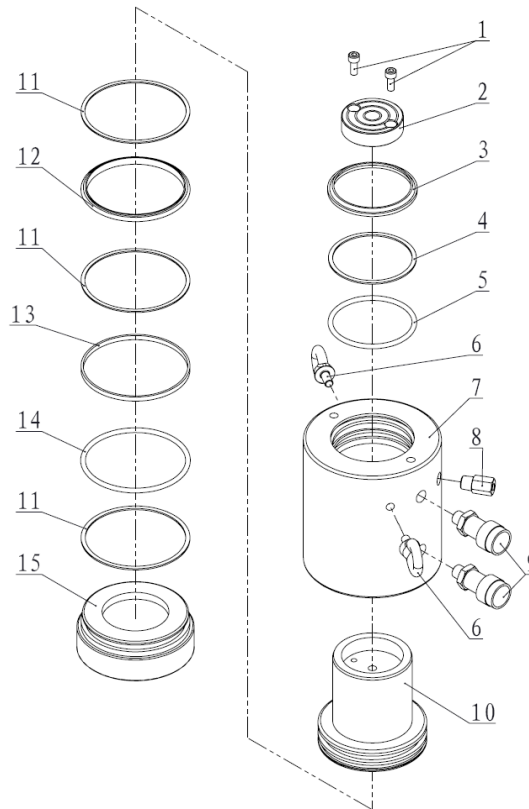
Repair Part Sheet

**BMDX-502, BMDX-504, BMDX-506,
BMDX-508, BMDX-5010, BMDX-5012 Cylinder**
Form No. BMDX502RP Rev. A Date: 20.05.2015



BELIUM Cylinders should be repaired only by a qualified operator or Authorized BELIUM Service Centers. Use Only BELIUM or other approved hydraulic oil. Release pressure in hydraulic system and disconnect hose(s) before making repair.

Parts List



Item No.	Part Number	Description	Qty.	Item No.	Part Number	Description	Qty.
1	12017	Bolt	2	9	BAC-201A	Coupler	2
2	BMDX502-3	Saddle	1	10	BMDX502-2	Piston BMDX-502 Only	1
3★	JB-d70	Wiper Ring	1		BMDX504-2	Piston BMDX-504 Only	1
4★	21367	Gasket	1		BMDX506-2	Piston BMDX-506 Only	1
5★	24073	O-ring	1		BMDX508-2	Piston BMDX-508 Only	1
6	11016	Eye Ring	2		BMDX5010-2	Piston BMDX-5010 Only	1
	BMDX5012-2	Piston BMDX-5012 Only	1				
7	BMDX502-1	Cylinder BMDX-502 Only	1	11★	21414	Gasket	3
	BMDX504-1	Cylinder BMDX-504 Only	1	12★	21009	T-ring	1
	BMDX506-1	Cylinder BMDX-506 Only	1	13	21553	Anti-wear Ring	1
	BMDX508-1	Cylinder BMDX-508 Only	1	14★	24092	O-ring	1
	BMDX5010-1	Cylinder BMDX-5010 Only	1	15	BMDX502-4	Cylinder Base	1
BMDX5012-1	Cylinder BMDX-5012 Only	1					
8	BF3.1	Safety Valve	1				

★ Items included in Repair Kit, Repair Kit order number: **BMDX502-RP-A**