



## Repair Part Sheet

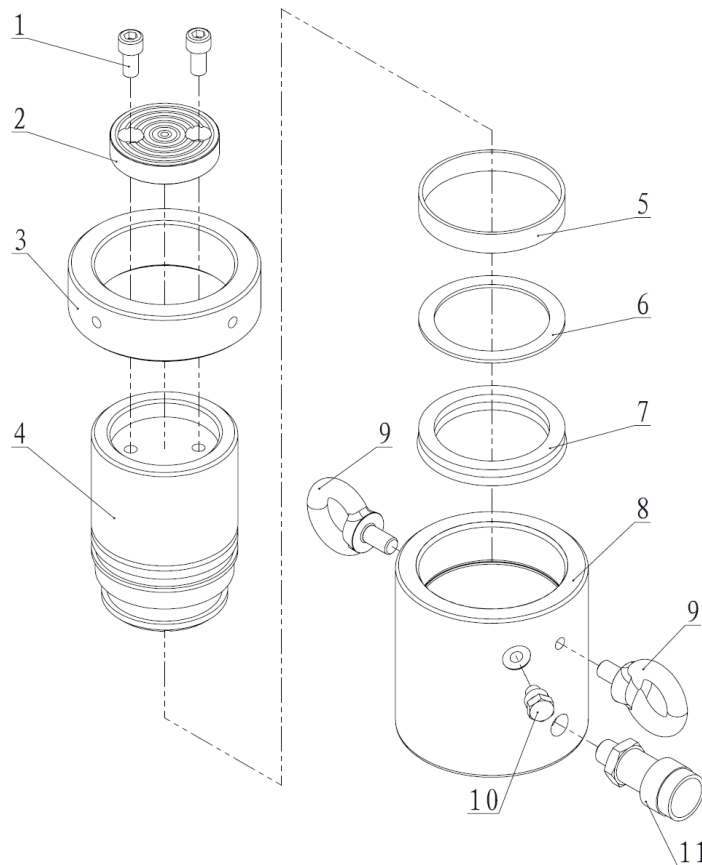
**BML-1002, BML-1004, BML-1006, BML-1008, BML-10010, BML-10012 Cylinder**

Form No. BML1002RP Rev. A Date: 20.5.2014



BELIUM Cylinders should be repaired only by a qualified operator or Authorized BELIUM Service Centers. Use Only BELIUM or other approved hydraulic oil. Release pressure in hydraulic system and disconnect hose(s) before making repair.

### Parts List



Item No.	Part Number	Description	Qty.	Item No.	Part Number	Description	Qty.
1	13003	Bolt	2	7★	24309	Y-ring	1
2	BMS502-3	Saddle	1	8	BML1002-2	Cylinder BML-1002 Only	1
3	BML1002-1	Lock Nut	1		BML1004-2	Cylinder BML-1004 Only	1
4	BML1002-3	Piston BML-1002 Only	1		BML1006-2	Cylinder BML-1006 Only	1
	BML1004-3	Piston BML-1004 Only	1		BML1008-2	Cylinder BML-1008 Only	1
	BML1006-3	Piston BML-1006 Only	1		BML10010-2	Cylinder BML-10010 Only	1
	BML1008-3	Piston BML-1008 Only	1		BML10012-2	Cylinder BML-10012 Only	1
	BML10010-3	Piston BML-10010 Only	1	9	11017	Eye Ring	2
	BML10012-3	Piston BML-10012 Only	1	10	BMLL250T	Safety Valve	1
5	21500	Anti-wear Ring	1	11	BAC-201A	Coupler	1
6★	21098	Gasket	1				

★ Items included in Repair Kit, Repair Kit order number: **BML1006-RP-A**