



Repair Part Sheet

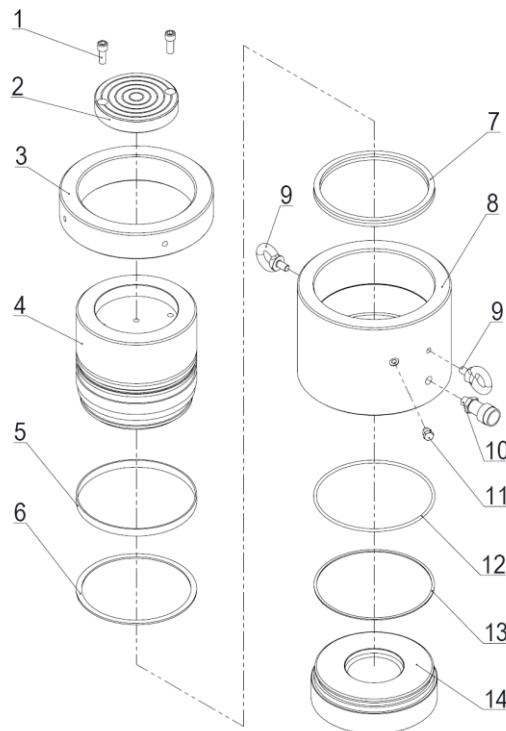
**BML- 1502T, BML-1504T, BML-1506T,
BML-1508T, BML-15010T, BML-15012T
Cylinder**

Form No. BML1502TRP Rev. A Date: 20.5.2014



BELIUM Cylinders should be repaired only by a qualified operator or Authorized BELIUM Service Centers. Use Only BELIUM or other approved hydraulic oil. Release pressure in hydraulic system and disconnect hose(s) before making repair.

Parts List



Item No.	Part Number	Description	Qty.	Item No.	Part Number	Description	Qty.
1	13018	Bolt	2	8	BML1502T-2	Cylinder BML-1502 Only	1
2	BML1502-4	Saddle	1		BML1504T-2	Cylinder BML-1504 Only	1
3	BML1502T-1	Lock Nut	1		BML1506T-2	Cylinder BML-1506 Only	1
4	BML1502T-3	Piston Rod BML-1502 Only	1		BML1508T-2	Cylinder BML-1508Only	1
	BML1504T-3	Piston Rod BML-1504 Only	1		BML15010T-2	Cylinder BML-15010 Only	1
	BML1506T-3	Piston Rod BML-1506 Only	1		BML15012T-2	Cylinder BML-15012 Only	1
	BML1508T-3	Piston Rod BML-1508 Only	1	9	11018	Eye Ring	2
	BML15010T-3	Piston Rod BML-15010 Only	1	10	BMLL250T	Release Bolt	1
	BML15012T-3	Piston Rod BML-15012 Only	1	11	BAC-201A	Coupler	1
5	21665	Anti-wear Ring	1	12★	24128	O-ring	1
6★	21137	Gasket	1	13★	21147	Gasket	1
7★	24324	Y-ring	1	14	BMDX1502-4	Cylinder Base	1

★ Items included in Repair Kit, Repair Kit order number: **BML1502T-RP-A**