



Repair Part Sheet

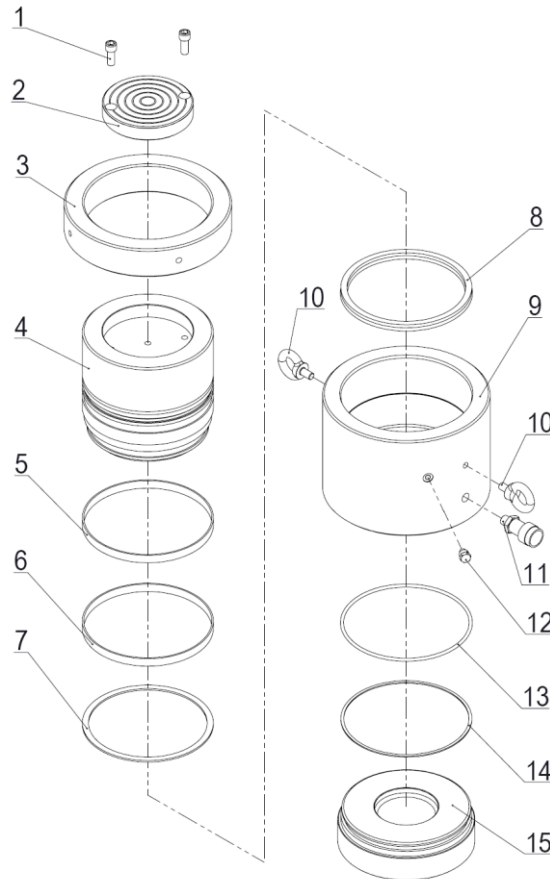
**BML- 2002T, BML-2006T, BML-20010T
Cylinder**

Form No. BML2002TRP Rev. A Date: 20.5.2014



BELIUM Cylinders should be repaired only by a qualified operator or Authorized BELIUM Service Centers. Use Only BELIUM or other approved hydraulic oil. Release pressure in hydraulic system and disconnect hose(s) before making repair.

Parts List



Item No.	Part Number	Description	Qty.	Item No.	Part Number	Description	Qty.
1	13018	Bolt	2	9	BML2002T-2	Cylinder BML-2002T Only	1
2	BML1502-4	Saddle	1		BML2006T-2	Cylinder BML-2006T Only	1
3	BML2002-1	Lock Nut	1		BML20010T-2	Cylinder BML-20010T Only	1
4	BML2002T-3	Piston Rod BML-2002T Only	1	10	11018	Eye Ring	2
	BML2006T-3	Piston Rod BML-2006T Only	1	11	BAC-201A	Coupler	1
	BML20010T-3	Piston Rod BML-20010T Only	1	12	BMLL250T	Safety Valve	1
5	21585	Anti-wear Ring	1	13★	24139	O-ring	1
6	21667	Anti-wear Ring	1	14★	21183	Gasket	1
7★	21177	Gasket	1	15	BMDX2002-4	Cylinder Base	1
8★	24325	Y-ring	1				

★ Items included in Repair Kit, Repair Kit order number: **BML2002T-RP-A**