



Repair Part Sheet

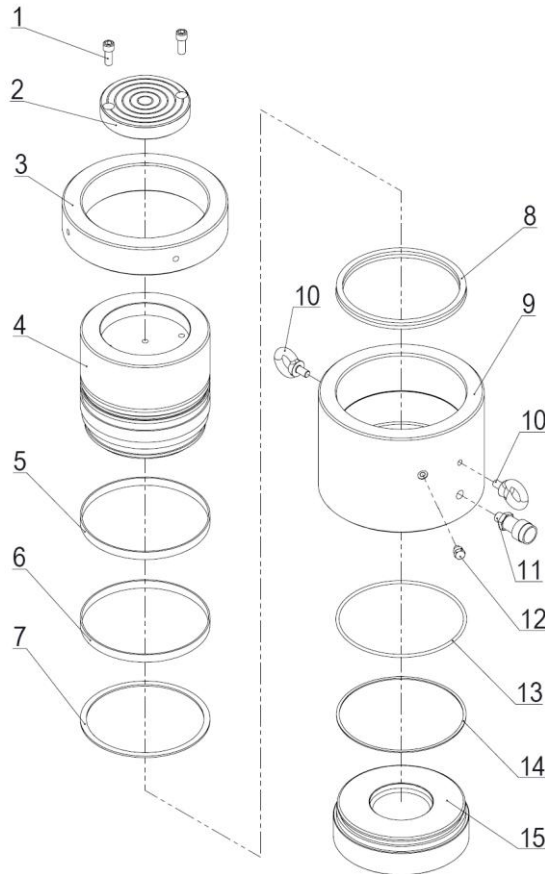
**BML- 2502T, BML-2506T, BML-25010T
Cylinder**

Form No. BML2502TRP Rev. A Date: 20.5.2014



BELIUM Cylinders should be repaired only by a qualified operator or Authorized BELIUM Service Centers. Use Only BELIUM or other approved hydraulic oil. Release pressure in hydraulic system and disconnect hose(s) before making repair.

Parts List



Item No.	Part Number	Description	Qty.	Item No.	Part Number	Description	Qty.
1	13035	Bolt	2	9	BML2502T-2	Cylinder BML-2502T Only	1
2	BML250T-1	Saddle	1		BML2506T-2	Cylinder BML-2506T Only	1
3	BML250T-2	Lock Nut	1		BML25010T-2	Cylinder BML-25010T Only	1
4	BML2502-1	Piston Rod BML-2002T Only	1	10	11018	Eye Ring	2
	BML2506-1	Piston Rod BML-2006T Only	1	11	BAC-201A	Coupler	1
	BML25010-1	Piston Rod BML-20010T Only	1	12	BMLL250T	Safety Valve	1
5	21613	Anti-wear Ring	1	13★	24287	O-ring	1
6	21614	Anti-wear Ring	1	14★	21204	Gasket	1
7★	21202	Gasket	1	15	BMDX2502-4	Cylinder Base	1
8★	24332	Y-ring	1				

★ Items included in Repair Kit, Repair Kit order number: **BML2502T-RP-A**