



## Repair Part Sheet

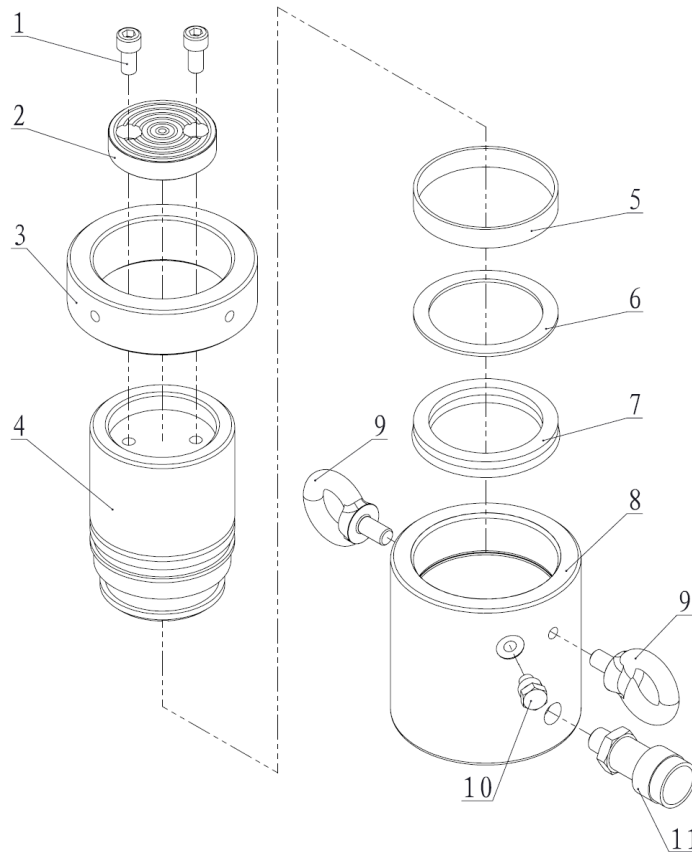
BML- 502, BML-504, BML-506, BML-508,  
BML-5010, BML-5012 Cylinder

Form No. BML502RP Rev. A Date: 20.5.2014



BELIUM Cylinders should be repaired only by a qualified operator or Authorized BELIUM Service Centers. Use Only BELIUM or other approved hydraulic oil. RBMLease pressure in hydraulic system and disconnect hose(s) before making repair.

### Parts List



Item No.	Part Number	Description	Qty.	Item No.	Part Number	Description	Qty.
1	13003	Bolt	2	7★	24321	Y-ring	1
2	BMS502-3	Saddle	1	8	BML502-2	Cylinder Body BML-502 Only	1
3	BML502-1	Lock Nut	1		BML504-2	Cylinder Body BML-504 Only	1
4	BML502-3	Piston BML-502 Only	1		BML506-2	Cylinder Body BML-506 Only	1
	BML504-3	Piston BML-504 Only	1		BML508-2	Cylinder Body BML-508 Only	1
	BML506-3	Piston BML-506 Only	1		BML5010-2	Cylinder Body BML-5010 Only	1
	BML508-3	Piston BML-508 Only	1		BML5012-2	Cylinder Body BML-5012 Only	1
	BML5010-3	Piston BML-5010 Only	1	9	11016	Eye Ring	2
	BML5012-3	Piston BML-5012 Only	1	10	BMLL250T	Release Bolt	1
5	21664	Anti-wear Ring	1	11	BAC-201A	Coupler	1
6★	21394	Gasket	1				

★ Items included in Repair Kit, Repair Kit order number: **BML502-RP-A**