



Repair Part Sheet

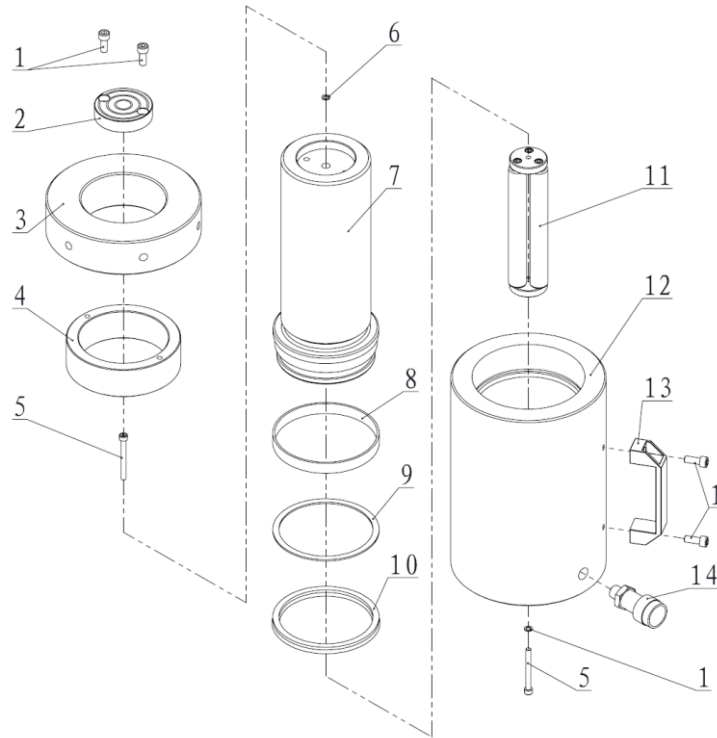
BMLA-1006 Cylinder

Form No. BMLA1006RP Rev. 0 Date: 20.5.2015



BELIUM Cylinders should be repaired only by a qualified operator or Authorized BELIUM Service Centers. Use Only BELIUM or other approved hydraulic oil. Release pressure in hydraulic system and disconnect hose(s) before making repair.

Parts List



Item No.	Part Number	Description	Quantity
1	13003	Bolt	4
2	BMSA100T-01	Saddle	1
3	BMLA1006-01	Nut	1
4	BMLA1006-03	Guide Ring	1
5	11015	Bolt	2
6★	QY2-13	Copper Washer	2
7	BMLA1006-05	Piston Rod	1
8	BMLA1006-06	Anti-wear Ring	1
9★	21096	Gasket	1
10★	24309	Y-ring	1
11	31064	Return Spring Assembly	1
12	BMLA1006-04	Cylinder	1
13	BMSA100T-05	Handle	1
14	BAC-201A	Coupler	1

★ Items included in Repair Kit, Repair Kit order number: **BMLA1006-RP-0**