



Repair Part Sheet

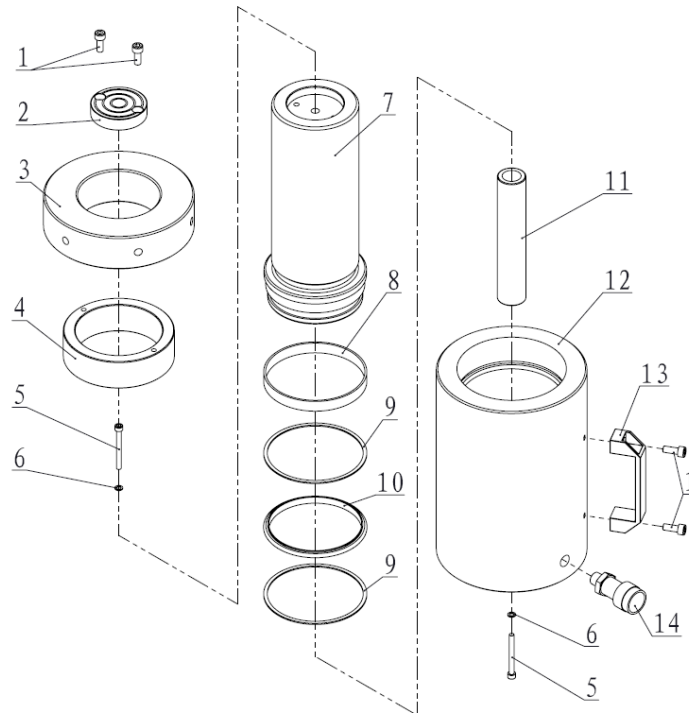
BMLA-556 Cylinder

Form No. BMLA556RP Rev. A Date: 20.5.2015



BELIUM Cylinders should be repaired only by a qualified operator or Authorized BELIUM Service Centers. Use Only BELIUM or other approved hydraulic oil. Release pressure in hydraulic system and disconnect hose(s) before making repair.

Parts List



Item No.	Part Number	Description	Quantity
1	13003	Bolt	4
2	BMSA556-1	Saddle	1
3	BMLA556-2	Nut	1
4	BMLA556-3	Guide Ring	1
5	11012	Bolt	2
6★	QY2-13	Copper Washer	2
7	BMLA556-5	Piston Rod	1
8	21624	Anti-wear Ring	1
9★	21401	Gasket	2
10★	21008	Y-ring	1
11	31047	Return Spring Assembly	1
12	BMLA556-4	Cylinder	1
13	BMSA556-5	Handle	1
14	BAC-201A	Coupler	1

★ Items included in Repair Kit, Repair Kit order number: **BMLA556-RP-A**