



Repair Part Sheet

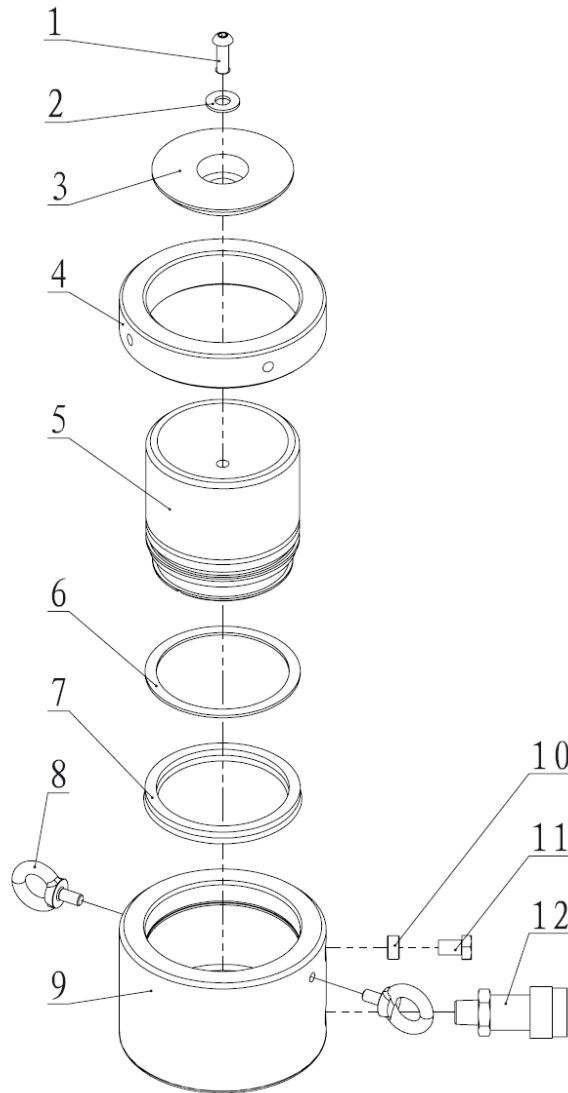
BMLL-2502 Cylinder

Form No. BMLL2502RP Rev. A Date: 20.05.2014



BELIUM Cylinders should be repaired only by a qualified operator or Authorized BELIUM Service Centers. Use Only BELIUM or other approved hydraulic oil. Release pressure in hydraulic system and disconnect hose(s) before making repair.

Parts List



Item No.	Part Number	Description	Quantity	Item No.	Part Number	Description	Quantity
1	13099	Bolt	1	7★	24332	Y-ring	1
2	BMLL250T-01	Washer	1	8	GB825-88	Eye Ring	2
3	BMLL250T-02	Saddle	1	9	BMLL2502-02	Cylinder	1
4	BMLL250T-03	Lock Nut	1	10	BMLL250T-04	Release Nut	1
5	BMLL2502-01	Piston	1	11	BMLL250T-05	Release Bolt	1
6★	21202	Gasket	1	12	BAC-201A	Coupler	1

★ Items included in Repair Kit, Repair Kit order number: **BMLL2502-RP-A**