



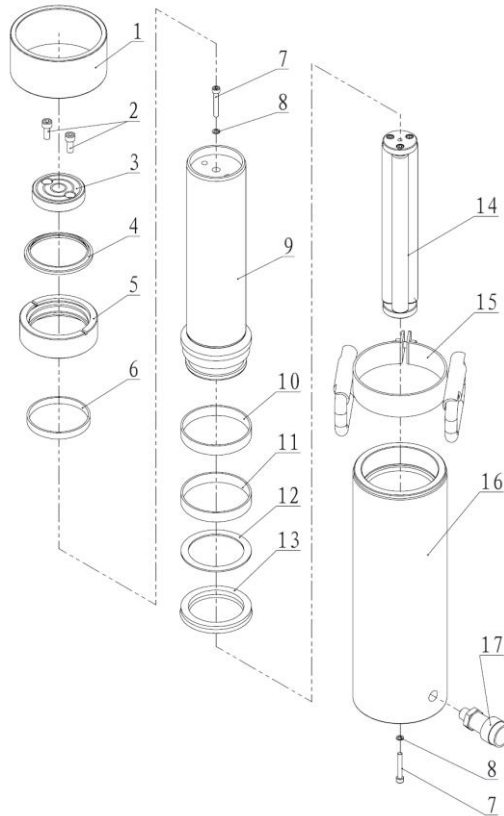
Repair Part Sheet

BMS-1004, BMS-1006, BMS-10010 Cylinder
 Form No. BMS1004RP Rev. B Date: 20.5.2015



BELIUM Cylinders should be repaired only by a qualified operator or Authorized BELIUM Service Centers. Use Only BELIUM or other approved hydraulic oil. Release pressure in hydraulic system and disconnect hose(s) before making repair.

Parts List



Item No.7: Torque to 22-44 ft. lbs. [30-60 Nm].

Item No.17: Torque to 22-44 ft. lbs. [30-60 Nm].
 Apply Teflon tape or Loctite 545 thread sealant. Leave first complete thread free to prevent tape particles from entering into the hydraulic system.

Item No.	Part Number	Description	Quantity	Item No.	Part Number	Description	Quantity
1	BMS1006-5	Thread Cover	1	11	21664	Anti-wear Ring	1
2	13003	Bolt	2	12★	21096	Gasket	2
3	BMS502-3	Saddle	1	13★	24309	Y-ring	1
4★	JB-d105	Wiper Ring	1	14	31031	Return Spring Assembly BMS-1004 Only	1
5	BMS1006-2	Stop Ring	1		31034	Return Spring Assembly BMS-1006 Only	1
6	21561	Anti-wear Ring	1		31035	Return Spring Assembly BMS-10010 Only	1
7	11014	Bolt	2	15	BMS1004-Y1	Handle	1
8★	QY2-13	Copper Washer	2	16	BMS1004-1	Cylinder Body BMS-1004 Only	1
9	BMS1004-4Y	Piston BMS-1004 Only	1		BMS1006-1	Cylinder Body BMS-1006 Only	1
	BMS1006-4Y	Piston BMS-1006 Only	1		BMS10010-1	Cylinder Body BMS-10010 Only	1
	BMS10010-4Y	Piston BMS-10010 Only	1		17	BAC-201A	Coupler
10	21568	Anti-wear Ring	1				

★ Items included in Repair Kit, Repair Kit order number: **BMS1004-RP-B**