



Repair Part Sheet

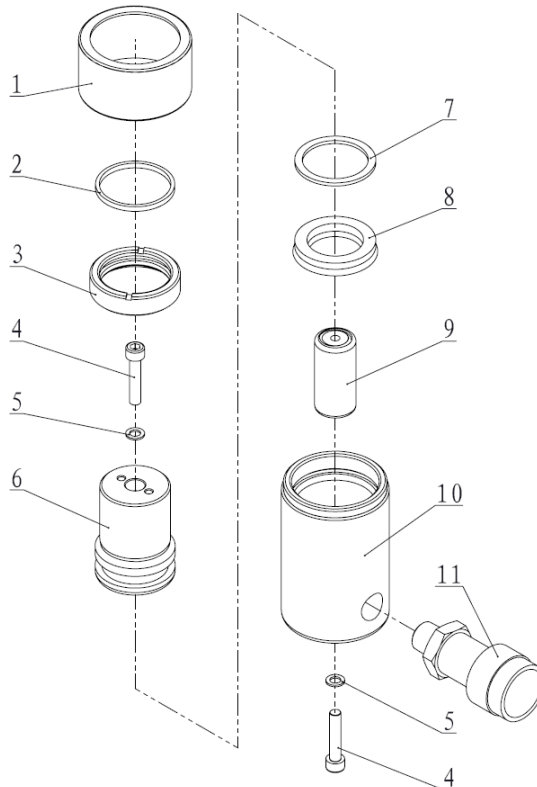
BMS- 101 Cylinder

Form No. BMS101RP Rev. B Date: 20.5.2015



BELIUM Cylinders should be repaired only by a qualified operator or Authorized BELIUM Service Centers. Use Only BELIUM or other approved hydraulic oil. Release pressure in hydraulic system and disconnect hose(s) before making repair.

Parts List



Item No.4: Torque to 22-44 ft. lbs.
[30-60 Nm].

Item No.11: Torque to 22-44 ft. lbs.
[30-60 Nm].

Apply Teflon tape or Loctite 545 thread sealant. Leave first complete thread free to prevent tape particles from entering into the hydraulic system.

Item No.	Part Number	Description	Quantity
1	BMS101-2	Thread Cover	1
2★	21683	Wiper Ring	1
3	BMS101-1	Stop Ring	1
4	11006	Bolt	2
5★	QY2-13	Copper Washer	2
6	BMS101-4Y	Piston Rod	1
7★	21419	Gasket	1
8★	24301	Y-ring	1
9	31013	Return Spring Assembly	1
10	BMS101-3	Cylinder	1
11	BAC-201A	Coupler	1

★ Items included in Repair Kit. Repair Kit order number: **BMS101-RP-B**