



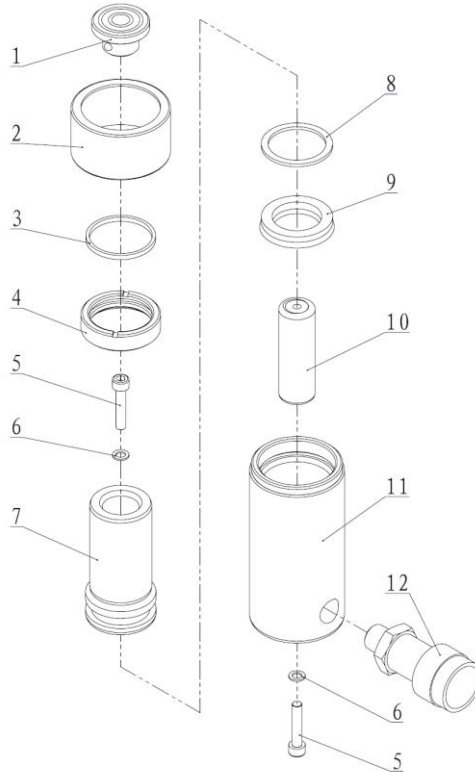
## Repair Part Sheet

**BMS- 102, BMS-104 Cylinder**  
 Form No. BMS102RP Rev. B Date: 20.5.2015



BELIUM Cylinders should be repaired only by a qualified operator or Authorized BELIUM Service Centers. Use Only BELIUM or other approved hydraulic oil. Release pressure in hydraulic system and disconnect hose(s) before making repair.

### Parts List



Item No.5: Torque to 22-44 ft. lbs.  
 [30-60 Nm].

Item No.12: Torque to 22-44 ft. lbs.  
 [30-60 Nm].

Apply Teflon tape or Loctite 545 thread sealant. Leave first complete thread free to prevent tape particles from entering into the hydraulic system.

Item No.	Part Number	Description	Quantity
1	SG-102G	Saddle	1
2	BMS101-2	Thread Cover	1
3★	21683	Wiper Ring	1
4	BMS101-1	Stop Ring	1
5	11006	Bolt	2
6★	QY2-13	Copper Washer	2
7	BMS102-4Y	Piston BMS-102 Only	1
	BMS104-4Y	Piston BMS-104 Only	1
8★	21419	Gasket	1
9★	24301	Y-ring	1
10	31014	Return Spring Assembly BMS-102 Only	1
	31018	Return Spring Assembly BMS-104 Only	1
11	BMS102-3	Cylinder Body BMS-102 Only	1
	BMS104-3	Cylinder Body BMS-104 Only	1
12	BAC-201A	Coupler	1

★ Items included in Repair Kit. Repair Kit order number: **BMS101-RP-B**