



Repair Part Sheet

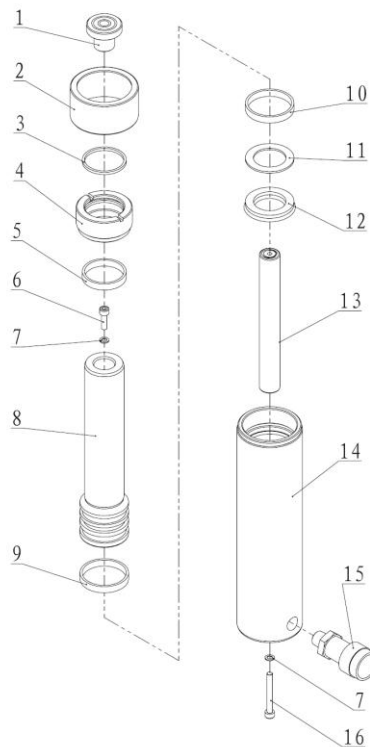
**BMS-156, BMS-158, BMS-1510, BMS-1512,
BMS1514 Cylinder**

Form No. BMS156RP Rev. B Date: 20.5.2015



BELIUM Cylinders should be repaired only by a qualified operator or Authorized BELIUM Service Centers. Use Only BELIUM or other approved hydraulic oil. Release pressure in hydraulic system and disconnect hose(s) before making repair.

Parts List



Item No.6: Torque to 22-44 ft. lbs.
[30-60 Nm].

Item No.16: Torque to 22-44 ft. lbs.
[30-60 Nm].

Item No.15: Torque to 22-44 ft. lbs.
[30-60 Nm].

Apply Teflon tape or Loctite 545
thread sealant. Leave first complete
thread free to prevent tape particles

Item No.	Part Number	Description	Qty.	Item No.	Part Number	Description	Qty.
1	SG-152G	Saddle	1	11★	21291	Gasket	1
2	BMS151-4	Thread Cover	1	12★	24317	Y-ring	1
3★	21704	Wiper Ring	1	13	31023	Spring BMS-156 Only	1
4	BMS151-2	Stop Ring	1		31025	Spring BMS-158 Only	1
5	21623	Anti-wear Ring	1		31026	Spring BMS-1510 Only	1
6	11004	Bolt	1		31027	Spring BMS-1512 Only	1
7★	QY2-13	Copper Washer	2		31028	Spring BMS-1514 Only	1
8	BMS156-3Y	Piston BMS-156 Only	1	14	BMS156-1	Cylinder BMS-156 Only	1
	BMS158-3Y	Piston BMS-158 Only	1		BMS158-1	Cylinder BMS-158 Only	1
	BMS1510-3Y	Piston BMS-1510 Only	1		BMS1510-1	Cylinder BMS-1510 Only	1
	BMS1512-3Y	Piston BMS-1512 Only	1		BMS1512-1	Cylinder BMS-1512 Only	1
	BMS1514-3Y	Piston BMS-1514 Only	1		BMS1514-1	Cylinder BMS-1514 Only	1
9	21630	Anti-wear Ring	1	15	BAC-201A	Coupler	1
10	21662	Anti-wear Ring	1	16	11010	Bolt	1

★ Items included in Repair Kit, Repair Kit order number: **BMS151-RP-B**