



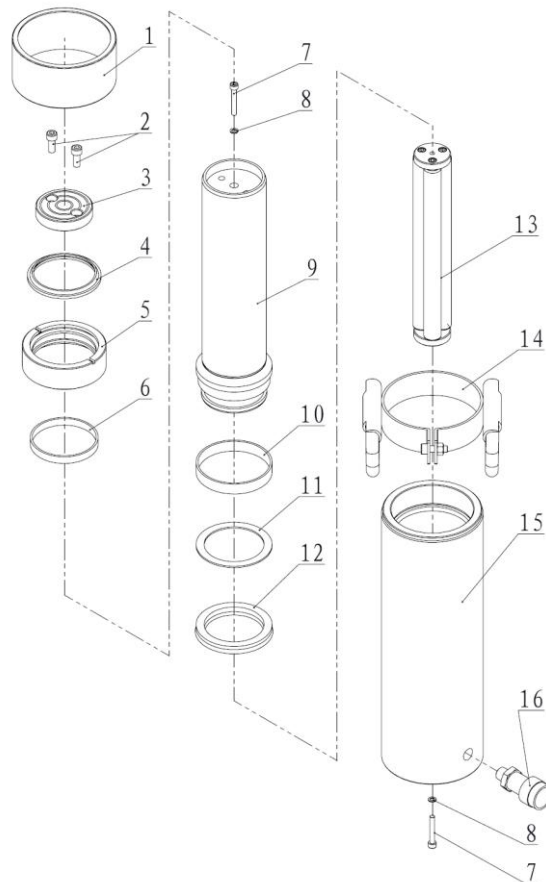
Repair Part Sheet

BMS- 5010, BMS-5013 Cylinder
 Form No. BMS5010RP Rev. B Date: 20.5.2015



BELIUM Cylinders should be repaired only by a qualified operator or Authorized BELIUM Service Centers. Use Only BELIUM or other approved hydraulic oil. Release pressure in hydraulic system and disconnect hose(s) before making repair.

Parts List



Item No.7: Torque to
 22-44 ft. lbs. [30-60 Nm].

Item No.16: Torque to
 22-44 ft. lbs. [30-60 Nm].
 Apply Teflon tape or Loctite
 545 thread sealant. Leave
 first complete thread free to
 prevent tape particles from
 entering into the hydraulic
 system.

Item No.	Part Number	Description	Quantity	Item No.	Part Number	Description	Quantity
1	BMS502-4	Thread Cover	1	10	21668	Anti-wear Ring	1
2	13003	Bolt	2	11★	21393	Gasket	1
3	BMS502-3	Saddle	1	12★	24321	Y-ring	1
4★	JB-d80	Wiper Ring	1	13	31065	Spring Assembly BMS-5010 only	1
5	BMS502-2	Stop Ring	1		310636	Spring Assembly BMS-5013 only	1
6	21546	Anti-wear Ring	1	14	BMS5013-Y1	Handle	1
7	11014	Bolt	2	15	BMS5010-1	Cylinder BMS5010 Only	1
8★	QY2-13	Copper Washer	2		BMS5013-1	Cylinder BMS5013 Only	1
9	BMS5010-5Y	Piston BMS5010 Only	1	16	BAC-201A	Coupler	1
	BMS5013-5Y	Piston BMS5013 Only	1				

★ Items included in Repair Kit, Repair Kit order number: **BMS502-RP-B**