



Repair Part Sheet

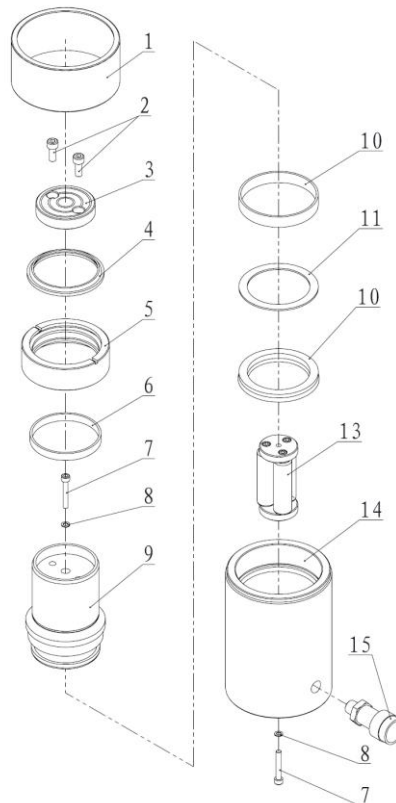
BMS- 502 Cylinder

Form No. BMS502RP Rev. B Date: 20.5.2015



BELIUM Cylinders should be repaired only by a qualified operator or Authorized BELIUM Service Centers. Use Only BELIUM or other approved hydraulic oil. Release pressure in hydraulic system and disconnect hose(s) before making repair.

Parts List



Item No.7: Torque to 22-44 ft. lbs.
[30-60 Nm].

Item No.15: Torque to 22-44 ft. lbs.
[30-60 Nm].

Apply Teflon tape or Loctite 545 thread sealant. Leave first complete thread free to prevent tape particles from entering into the hydraulic system.

Item No.	Part Number	Description	Quantity
1	BMS502-4	Thread Cover	1
2	13003	Bolt	2
3	BMS502-3	Saddle	1
4★	JB-d80	Wiper Ring	1
5	BMS502-2	Stop Ring	1
6	21546	Anti-wear Ring	1
7	11008	Bolt	2
8★	QY2-13	Copper Washer	2
9	BMS502-5Y	Piston	1
10	21668	Anti-wear RING	1
11★	21393	Gasket	1
12★	24321	Y-ring	1
13	31059	Spring Assembly	1
14	BMS502-1	Cylinder	1
15	BAC-201A	Coupler	1

★ Items included in Repair Kit, Repair Kit order number: **BMS502-RP-B**