



Repair Part Sheet

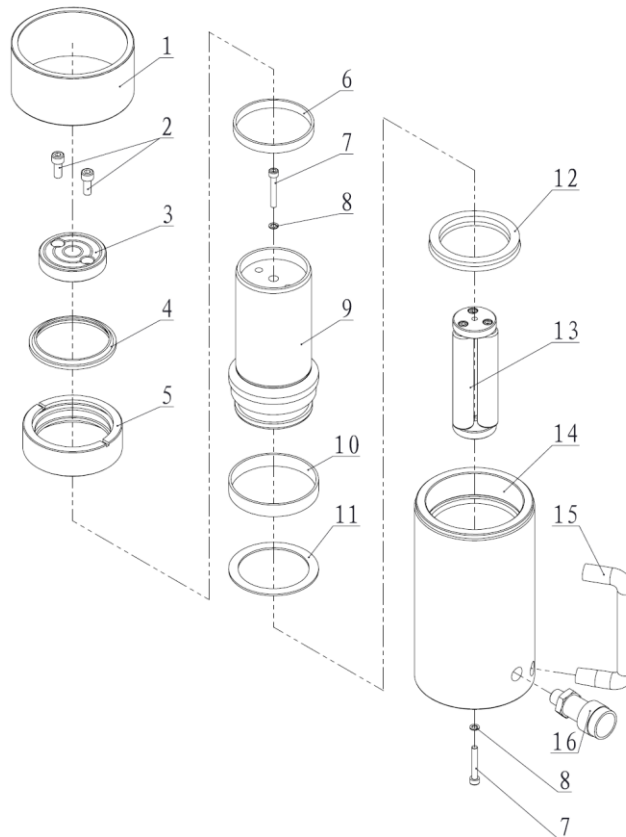
BMS- 504, BMS-506 Cylinder

Form No. BMS504RP Rev. B Date: 20.5.2015



BELIUM Cylinders should be repaired only by a qualified operator or Authorized BELIUM Service Centers. Use Only BELIUM or other approved hydraulic oil. Release pressure in hydraulic system and disconnect hose(s) before making repair.

Parts List



Item No.7: Torque to 22-44 ft. lbs. [30-60 Nm].

Item No.16: Torque to 22-44 ft. lbs. [30-60 Nm]. Apply Teflon tape or Loctite 545 thread sealant. Leave first complete thread free to prevent tape particles from entering into the hydraulic system.

Item No.	Part Number	Description	Qty.	Item No.	Part Number	Description	Qty.
1	BMS502-4	Thread Cover	1	10	21668	Anti-wear Ring	1
2	13003	Bolt	2	11★	21393	Gasket	1
3	BMS502-3	Saddle	1	12★	24321	Y-ring	1
4★	JB-d80	Anti-wear Ring	1	13	31061	Spring Assembly BMS-504 only	1
5	BMS502-2	Stop Ring	1		31064	Spring Assembly BMS-506 only	1
6	21546	Anti-wear Ring	1	14	BMS504-1	Cylinder BMS-504 only	1
7	11010	Bolt	2		BMS506-1	Cylinder BMS-506 only	1
8★	QY2-13	Copper Washer	2	15	BMS504-6	Handle BMS-504 Only	1
9	BMS504-5Y	Piston BMS-504 Only	1		BMS506-6	Handle BMS-506 only	1
	BMS506-5Y	Piston BMS-506 Only	1	16	BAC-201A	Coupler	1

★ Items included in Repair Kit, Repair Kit order number: **BMS502-RP-B**