



Repair Part Sheet

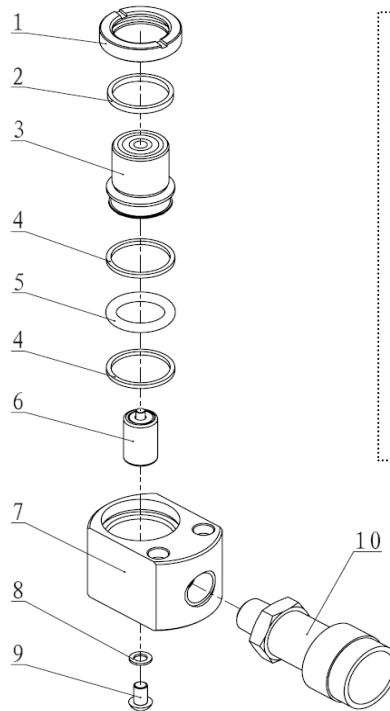
BMS-50 Cylinder

Form No. BMS 50RP Rev. A Date: 21.5.2015



BELIUM Cylinders should be repaired only by a qualified operator or Authorized BELIUM Service Centers. Use Only BELIUM or other approved hydraulic oil. Release pressure in hydraulic system and disconnect hose(s) before making repair.

Parts List



Item No.9: Torque to 22-44 ft. lbs. [30-60 Nm].

Item No.10: Torque to 22-44 ft. lbs. [30-60 Nm].

Apply Teflon tape or Loctite 545 thread sealant. Leave first complete thread free to prevent tape particles from entering into the hydraulic system.

Item No.	Part Number	Description	Quantity
1	BMSL50-1	Guide Ring	1
2★	21679	Wiper Ring	1
3	BM50-4	Piston Rod	1
4★	21232	Gasket	2
5★	21001	T-ring	1
6	31042	Return Spring Assembly	1
7	BM50-2	Cylinder	1
8★	QY2-13	Copper Washer	1
9	13080	Bolt	1
10	BAC-201A	Coupler	1

★ Items included in Repair Kit, Repair Kit order number: **BMS50-RP-A**