



## Repair Part Sheet

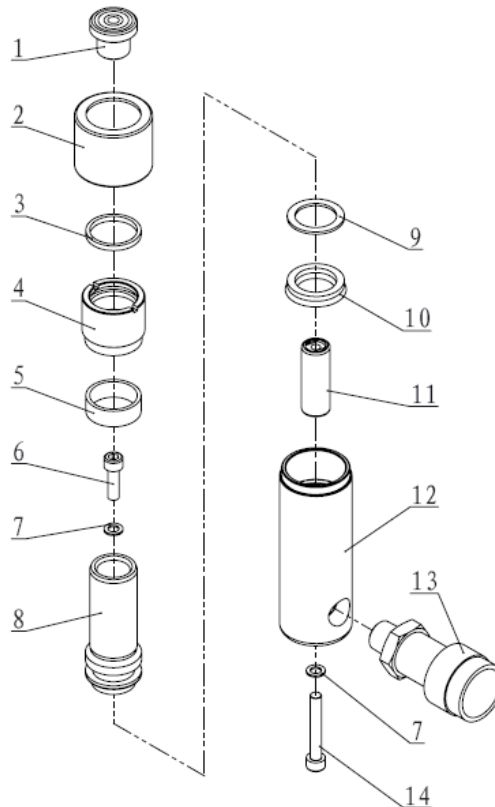
**BMS- 51, BMS-53, BMS-55, BMS-57,  
BMS-59 Cylinder**

Form No. BMS51RP Rev. B Date: 20.5.2015



BELIUM Cylinders should be repaired only by a qualified operator or Authorized BELIUM Service Centers. Use Only BELIUM or other approved hydraulic oil. Release pressure in hydraulic system and disconnect hose(s) before making repair.

### Parts List



Item No.6: Torque to 22-44 ft. lbs.  
[30-60 Nm].  
Item No.14: Torque to 22-44 ft. lbs.  
[30-60 Nm].  
Item No.13: Torque to 22-44 ft. lbs.  
[30-60 Nm].  
Apply Teflon tape or Loctite 545  
thread sealant. Leave first complete  
thread free to prevent tape particles  
from entering into the hydraulic  
system.

Item No.	Part Number	Description	Quantity	Item No.	Part Number	Description	Quantity
1	SG-53G	Saddle	1	10★	24351	Y-ring	1
2	BMS51-5	Thread Cover	1	11	31002	Return Spring Assembly BMS-51 Only	1
3★	21679	Wiper Ring	1		31003	Return Spring Assembly BMS-53 Only	1
4	BMS51-4	Guide Ring	1		31004	Return Spring Assembly BMS-55 Only	1
5	21521	Anti-wear Ring A	1		31005	Return Spring Assembly BMS-57 Only	1
6	11004	Bolt	1		31006	Return Spring Assembly BMS-59 Only	1
7★	QY2-13	Copper Washer	2		12	BMS51-3	Cylinder Body BMS-51 Only
8	BMS51-4Y	Piston BMS-51 Only	1	BMS53-3		Cylinder Body BMS-53 Only	1
	BMS53-4Y	Piston BMS-53 Only	1	BMS55-3		Cylinder Body BMS-55 Only	1
	BMS55-4Y	Piston BMS-55 Only	1	BMS57-3		Cylinder Body BMS-57 Only	1
	BMS57-4Y	Piston BMS-57 Only	1	BMS59-3		Cylinder Body BMS-59 Only	1
	BMS59-4Y	Piston ES-59 Only	1	13	BAC-201A	Coupler	1
9★	21231	Gasket	1	14	11007	Bolt	1

★ Items included in Repair Kit, Repair Kit order number: **BMS51-RP-B**