



Repair Part Sheet

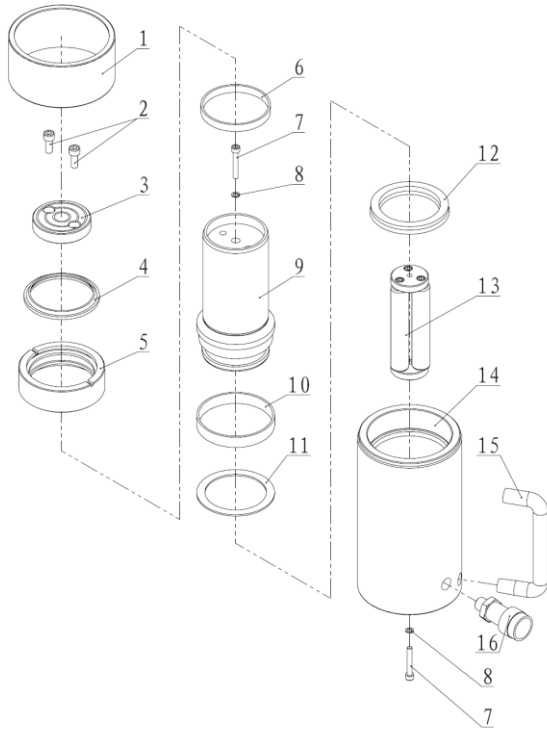
BMS-756 Cylinder

Form No. BMS756RP Rev. B Date: 20.5.2015



BELIUM Cylinders should be repaired only by a qualified operator or Authorized BELIUM Service Centers. Use Only BELIUM or other approved hydraulic oil. Release pressure in hydraulic system and disconnect hose(s) before making repair.

Parts List



Item No.7: Torque to
22-44 ft. lbs. [30-60 Nm].

Item No.17: Torque to
22-44 ft. lbs. [30-60 Nm].
Apply Teflon tape or Loctite
545 thread sealant. Leave
first complete thread free to
prevent tape particles from
entering into the hydraulic
system.

Item No.	Part Number	Description	Quantity
1	BMS756-4	Thread Cover	1
2	13003	Bolt	2
3	BMS502-3	Saddle	1
4★	JB-d95	Wiper Ring	1
5	BMS756-2	Stop Ring	1
6	21556	Anti-wear Ring	1
7	11010	Bolt	2
8★	QY2-13	Copper Washer	2
9	BMS756-5Y	Piston	1
10	21495	Anti-wear Ring	1
11★	21051	Gasket	1
12★	24338	Y-ring	1
13	31063	Spring Assembly	1
14	BMS506-1	Handle	1
15	BMS756-1	Cylinder	1
16	BAC-201A	Coupler	1

★ Items included in Repair Kit, Repair Kit order number: **BMS756-RP-B**