



Repair Part Sheet

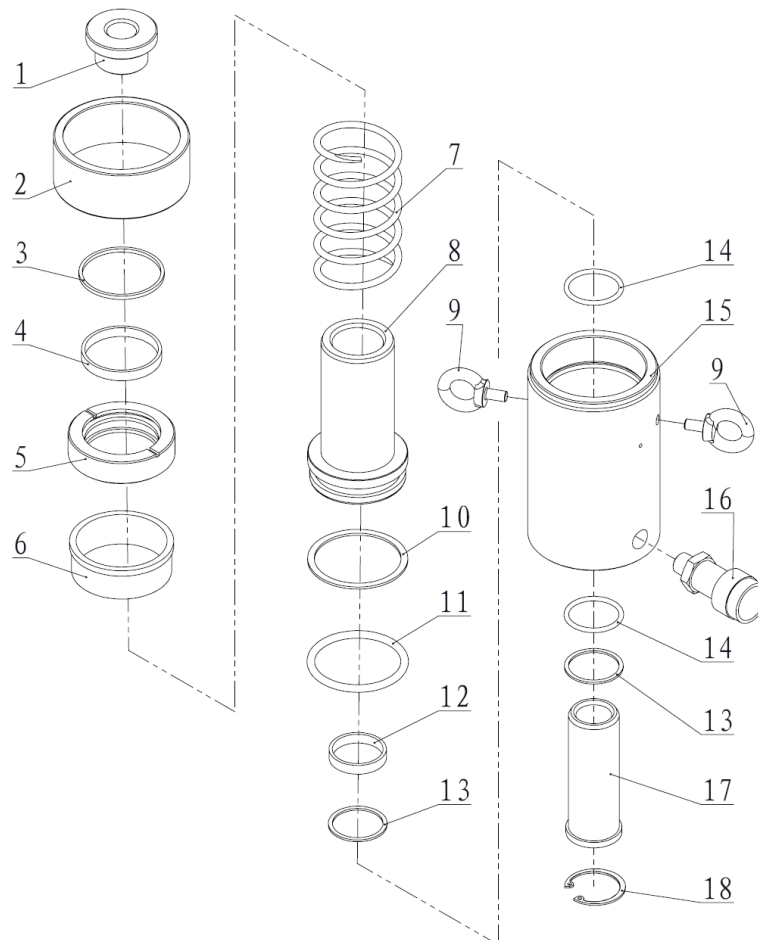
BMSH-1003 Cylinder

Form No. BMSH1003RP Rev. A Date:21.05.2013



BELIUM Cylinders should be repaired only by a qualified operator or Authorized BELIUM Service Centers. Use Only BELIUM or other approved hydraulic oil. Release pressure in hydraulic system and disconnect hose(s) before making repair.

Parts List



Item No.	Part Number	Description	Qty.	Item No.	Part Number	Description	Qty.
1	BMSH100T-01	Saddle	1	10★	21152	Gasket	1
2	BMSH100T-03	Thread Cover	1	11★	24131	O-ring	1
3★	21714	Wiper Ring	1	12	21490	Anti-wear Ring	1
4	21574	Anti-wear Ring	1	13★	21036	Gasket	2
5	BMSH100T-02	Guide Ring	1	14★	24275	O-ring	2
6	BMSH1003-05	Stop Ring	1	15	BMSH1003-02	Cylinder	1
7	BMSH1003-01	Spring	1	16	BAC-201A	Coupler	1
8	BMSH1003-04	Piston	1	17	BMSH1003-03	Small Piston	1
9	11017	Eye Ring	2	18	13189	Snap Ring	1

★ Items included in Repair Kit, Repair Kit order number: **BMSH1003-RP-A**