



## Repair Part Sheet

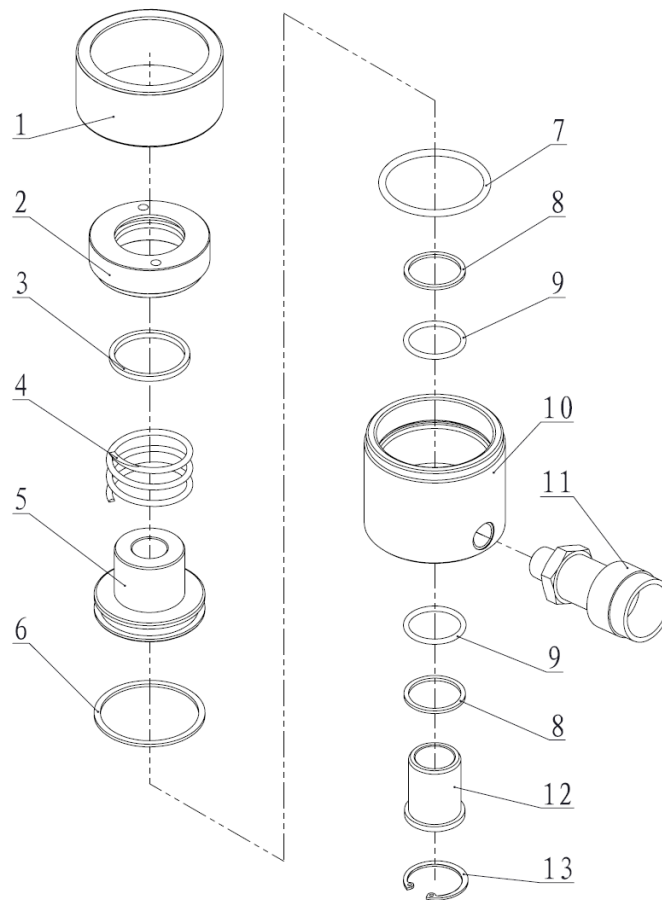
### BMSH-120 Cylinder

Form No. BMSH120RP Rev. A Date: 20.05.2015



BELIUM Cylinders should be repaired only by a qualified operator or Authorized BELIUM Service Centers. Use Only BELIUM or other approved hydraulic oil. Release pressure in hydraulic system and disconnect hose(s) before making repair.

### Parts List



| Item No. | Part Number | Description  | Qty. | Item No. | Part Number | Description  | Qty. |
|----------|-------------|--------------|------|----------|-------------|--------------|------|
| 1        | BMSH121-2   | Thread Cover | 1    | 8★       | 21238       | Gasket       | 2    |
| 2        | BMSH120-1   | Guide Ring   | 1    | 9★       | 24027       | O-ring       | 2    |
| 3★       | 21682       | Wiper Ring   | 1    | 10       | BMSH120-3   | Cylinder     | 1    |
| 4        | BMSH120-7   | Spring       | 1    | 11       | BAC202A     | Coupler      | 1    |
| 5        | BMSH120-4   | Piston       | 1    | 12       | BMSH120-5   | Small Piston | 1    |
| 6★       | 21300       | Gasket       | 1    | 13       | 13152       | Snap Ring    | 1    |
| 7★       | 24049       | O-ring       | 1    |          |             |              |      |

★ Items included in Repair Kit, Repair Kit order number: **BMSH120-RP-A**