



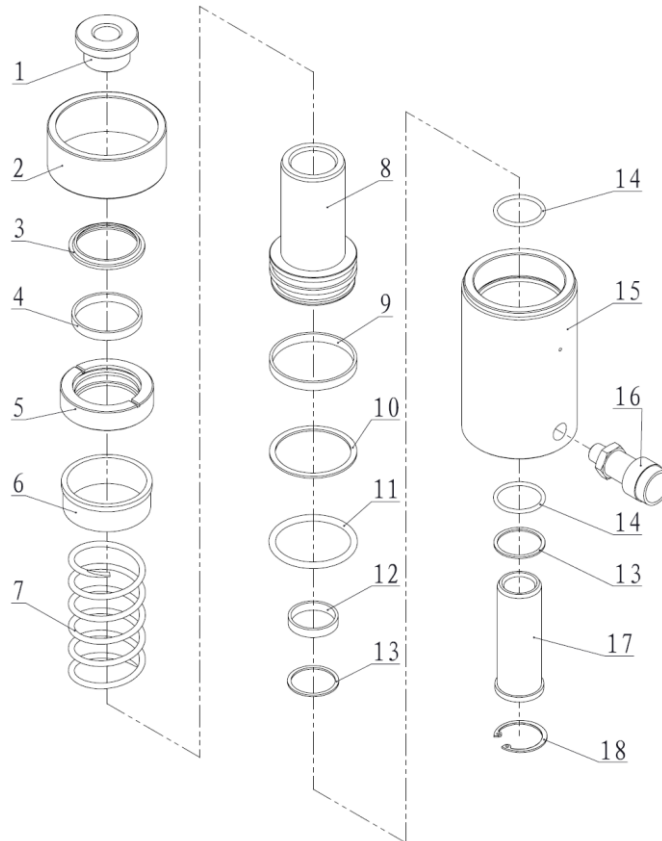
Repair Part Sheet

BMSH-202, BMSH-206 Cylinder
Form No. BMSH202RP Rev. A Date: 20.05.2015



BELIUM Cylinders should be repaired only by a qualified operator or Authorized BELIUM Service Centers. Use Only BELIUM or other approved hydraulic oil. Release pressure in hydraulic system and disconnect hose(s) before making repair.

Parts List



Item No.	Part Number	Description	Qty.	Item No.	Part Number	Description	Qty.
1	BMSH20T-01	Saddle	1	10★	21348	Gasket	1
2	BMSH20T-03	Thread Cover	1	11★	24184	O-ring	1
3★	JB-d55	Wiper Ring	1	12	21635	Anti-wear Ring	1
4	21534	Anti-wear Ring	1	13★	21276	Gasket	1
5	BMSH20T-02	Guide Ring	1	14★	24254	O-ring	
6	BMSH202-01	Stop Ring BMSH-202 Only	1	15	BMSH202-02	Cylinder Body BMSH-202 Only	1
	BMSH206-01	Stop Ring BMSH-206 Only	1		BMSH206-02	Cylinder Body BMSH-206 Only	1
7	BMSH202-03	Spring BMSH-202 Only	1	16	BAC-201A	Coupler	1
	BMSH206-03	Spring BMSH-206 Only	1		17	BMSH202-05	Small Piston BMSH-202 Only
8	BMSH202-04	Piston BMSH-202 Only	1	18		BMSH206-05	Small Piston BMSH-206 Only
	BMSH206-04	Piston BMSH-206 Only	1		13161	Snap Ring	1
9	21650	Anti-wear Ring	1				

★ Items included in Repair Kit, Repair Kit order number: **BMSH202-RP-A**