



Repair Part Sheet

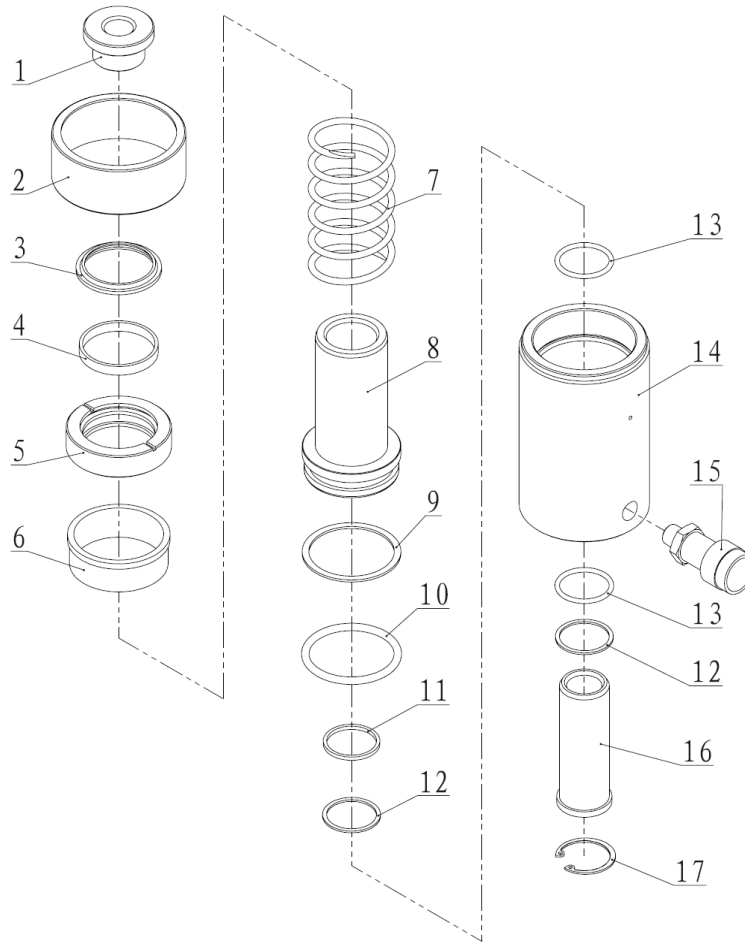
BMSH- 302 Cylinder

Form No. BMSH302RP Rev. A Date: 20.05.2015



BELIUM Cylinders should be repaired only by a qualified operator or Authorized BELIUM Service Centers. Use Only BELIUM or other approved hydraulic oil. Release pressure in hydraulic system and disconnect hose(s) before making repair.

Parts List



Item No.	Part Number	Description	Qty.	Item No.	Part Number	Description	Qty.
1	BMSH30T-01	Saddle	1	10★	24208	O-ring	1
2	BMSH30T-03	Thread Cover	1	11★	21711	Wiper Ring	1
3★	JB-d65	Wiper Ring	1	12★	21287	Gasket	2
4	21632	Anti-wear Ring	1	13★	24044	O-ring	2
5	BMSH30T-02	Guide Ring	1	14	BMSH302-02	Cylinder	1
6	BMSH302-01	Stop Ring	1	15	BAC-201A	Coupler	1
7	BMSH302-03	Spring	1	16	BMSH302-05	Small Piston	1
8	BMSH302-04	Piston	1	17★	13165	Snap Ring	1
9★	21424	Gasket	1				

★ Items included in Repair Kit, Repair Kit order number: **BMSH302-RP-A**