



Repair Part Sheet

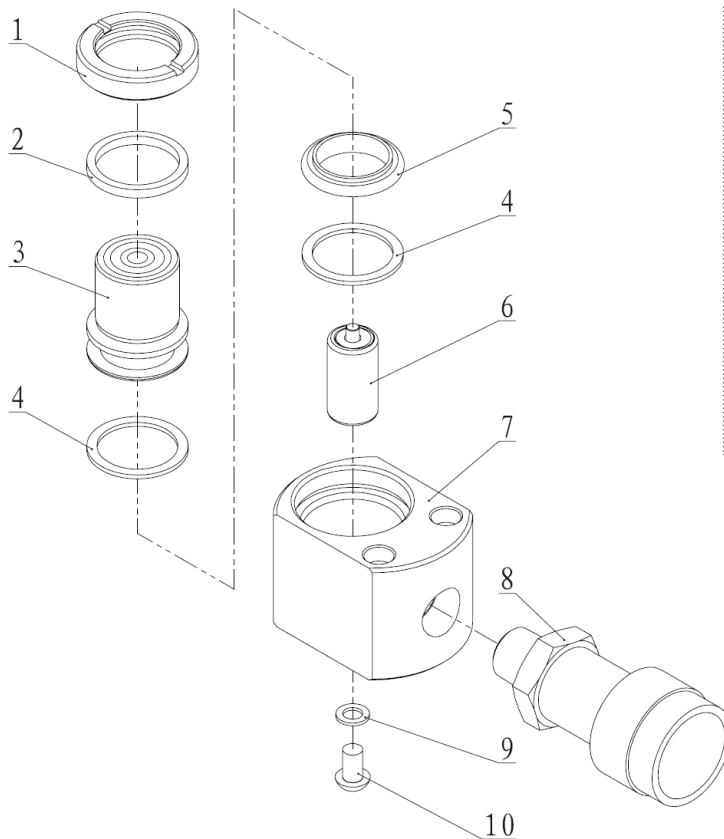
BMSL- 100 Cylinder

Form No. BMSL100RP Rev. A Date: 20.5.2014



BELIUM Cylinders should be repaired only by a qualified operator or Authorized BELIUM Service Centers. Use Only BELIUM or other approved hydraulic oil. Release pressure in hydraulic system and disconnect hose(s) before doing repair.

Parts List



Item No.10: Torque to 22-44 ft. lbs.
[30-60 Nm].

Item No.8: Torque to 22-44 ft. lbs.
[30-60 Nm].

Apply Teflon tape or Loctite 545 thread sealant. Leave first complete thread free to prevent tape particles from entering into the hydraulic system.

Item No.	Part Number	Description	Quantity
1	BMS101-1	Guide Ring	1
2★	21683	Wiper Ring	1
3	BMSL100-2	Piston Rod	1
4★	21270	Gasket	2
5★	21002	T-ring	1
6	31008	Spring Assembly	1
7	BMSL100-1	Cylinder	1
8	BAC-201A	Coupler	1
9★	QY2-13	Copper Washer	1
10	13082	Bolt	1

★ Items included in Repair Kit, Repair Kit order number: **BMSL100-RP-A**