



Repair Part Sheet

BMSL- 201 Cylinder

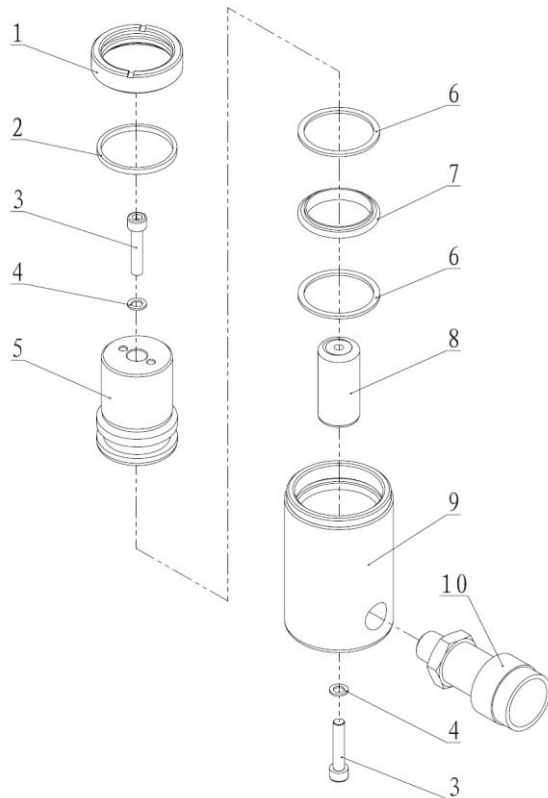
Form No. BMSL201RP Rev. A Date: 20.5.2014

BELIUM Cylinders should be repaired only by BELIUM Service Centers. Use Only BELIUM pressure in hydraulic system and disconnect



a qualified operator or Authorized or other approved hydraulic oil. Release hose(s) before making repair.

Parts List



Item No.3: Torque to 22-44 ft. lbs. [30-60 Nm].

Item No.10: Torque to 22-44 ft. lbs. [30-60 Nm].

Apply Teflon tape or Loctite 545 thread sealant. Leave first complete thread free to prevent tape particles from entering into the hydraulic system.

Item No.	Part Number	Description	Quantity
1	BMSL200-1	Guide Ring	1
2★	21687	Wiper Ring	1
3	11004	Bolt	1
4★	QY2-13	Copper Washer	2
5	BMSL201-2	Piston Rod	1
6★	21311	Gasket	2
7★	21004	T-ring	1
8	31014	Spring Assembly	1
9	BMSL201-1	Cylinder	1
10	BAC-201A	Coupler	1
11	11006	Bolt	1

★ Items included in Repair Kit, Repair Kit order number: **BMSL200-RP-A**