



Repair Part Sheet

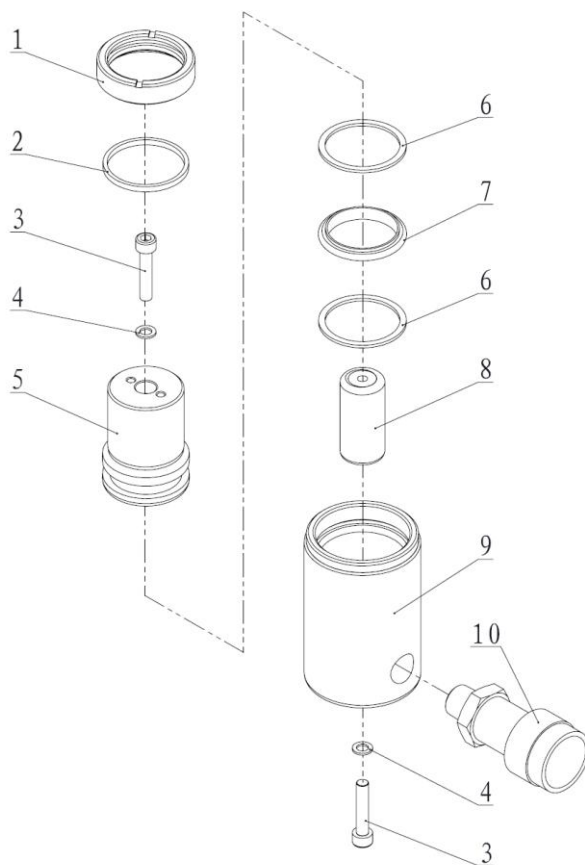
BMSL- 302 Cylinder

Form No. BMSL302RP Rev. A Date: 20.5.2014



BELIUM Cylinders should be repaired only by a qualified operator or Authorized BELIUM Service Centers. Use Only BELIUM or other approved hydraulic oil. Release pressure in hydraulic system and disconnect hose(s) before making repair.

Parts List



Item No.3: Torque to 22-44 ft. lbs.
[30-60 Nm].

Item No.10: Torque to 22-44 ft. lbs.
[30-60 Nm].

Apply Teflon tape or Loctite 545 thread sealant. Leave first complete thread free to prevent tape particles from entering into the hydraulic system.

| Item No. | Part Number | Description | Quantity |
|----------|-------------|-----------------|----------|
| 1 | BMSL300-2 | Guide Ring | 1 |
| 2★ | 21706 | Wiper Ring | 1 |
| 3 | 11004 | Bolt | 1 |
| 4★ | QY2-13 | Copper Washer | 2 |
| 5 | BMSL302-3 | Piston Rod | 1 |
| 6★ | 21338 | Gasket | 2 |
| 7★ | 21006 | T-ring | 1 |
| 8 | 31016 | Spring Assembly | 1 |
| 9 | BMSL302-1 | Cylinder | 1 |
| 10 | BAC-201A | Coupler | 1 |
| 11 | 11006 | Bolt | 1 |

★ Items included in Repair Kit, Repair Kit order number: **BMSL300-RP-A**