



## Repair Part Sheet

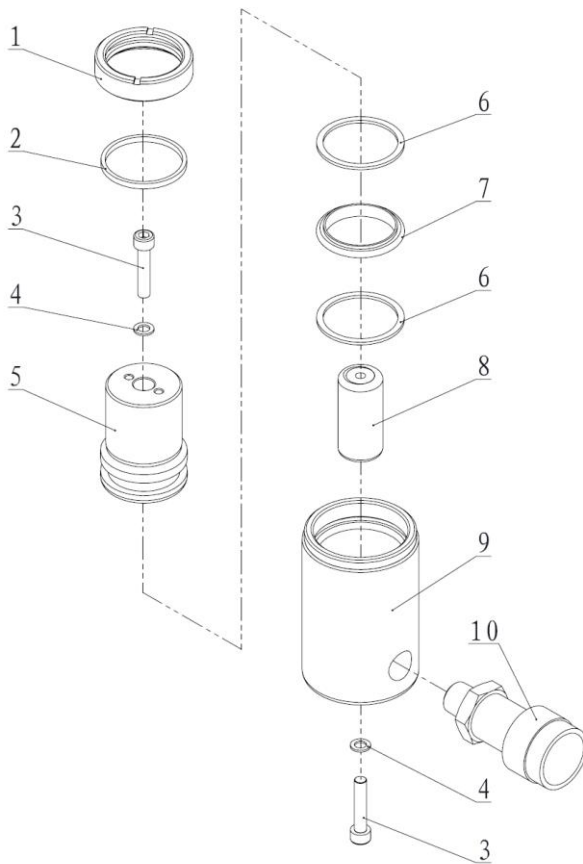
### BMSL- 502 Cylinder

Form No. BMSL502RP Rev. A Date: 20.5.2014



BELIUM Cylinders should be repaired only by a qualified operator or Authorized BELIUM Service Centers. Use Only BELIUM or other approved hydraulic oil. Release pressure in hydraulic system and disconnect hose(s) before making repair.

### Parts List



Item No.3: Torque to 22-44 ft. lbs.  
[30-60 Nm].

Item No.10: Torque to 22-44 ft. lbs.  
[30-60 Nm].

Apply Teflon tape or Loctite 545 thread sealant. Leave first complete thread free to prevent tape particles from entering into the hydraulic system.

Item No.	Part Number	Description	Quantity
1	BMSL500-1	Guide Ring	1
2★	21707	Wiper Ring	1
3	11004	Bolt	1
4★	QY2-13	Copper Washer	2
5	BMSL502-3	Piston Rod	1
6★	21386	Gasket	2
7★	21007	T-ring	1
8	31016	Spring Assembly	1
9	BMSL502-2	Cylinder	1
10	BAC-201A	Coupler	1
11	11006	Bolt	1

★ Items included in Repair Kit, Repair Kit order number: **BMSL502-RP-A**