



Repair Part Sheet

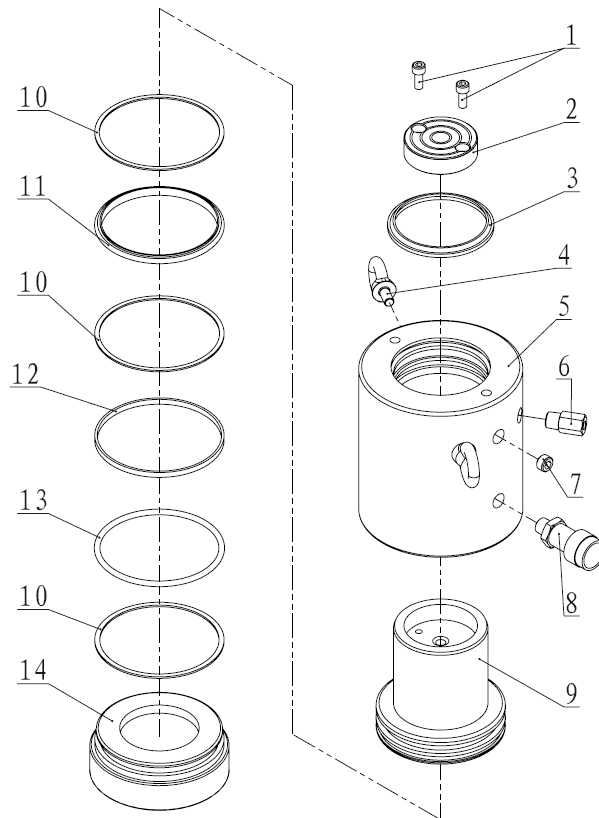
**BMSX-502, BMSX-504, BMSX-506,
BMSX-508, BMSX-5010, BMSX-5012
Cylinder**

Form No. BMSX502RP Rev. A Date: 20.05.2014



BELIUM Cylinders should be repaired only by a qualified operator or Authorized BELIUM Service Centers. Use Only BELIUM or other approved hydraulic oil. Release pressure in hydraulic system and disconnect hose(s) before making repair.

Parts List



Item No.	Part Number	Description	Qty.	Item No.	Part Number	Description	Qty.
1	12017	Bolt	2	8	BAC-201A	Coupler	1
2	BMDX502-3	Saddle	1	9	BMDX502-2	Piston BMSX-502 Only	1
3★	JB-d70	Wiper Ring	1		BMDX504-2	Piston BMSX-504 Only	1
4	11016	Eye Ring	2		BMDX506-2	Piston BMSX-506 Only	1
6	BMDX502-1	Cylinder BMSX-502 Only	1		BMDX508-2	Piston BMSX-508 Only	1
	BMDX504-1	Cylinder BMSX-504 Only	1		BMDX5010-2	Piston BMSX-5010 Only	1
	BMDX506-1	Cylinder BMSX-506 Only	1	BMDX5012-2	Piston BMSX-5012 Only	1	
	BMDX508-1	Cylinder BMSX-508 Only	1	10★	21414	Gasket	3
	BMDX5010-1	Cylinder BMSX-5010 Only	1	11★	21009	T-ring	1
	BMDX5012-1	Cylinder BMSX-5012 Only	1	12	21553	Anti-wear Ring	1
6	BF3.1	Safety Valve	1	13★	24092	O-ring	1
7	13102	Screw	1	14	BMDX502-4	Cylinder Base	1

★ Items included in Repair Kit, Repair Kit order number: **BMSX502-RP-A**